

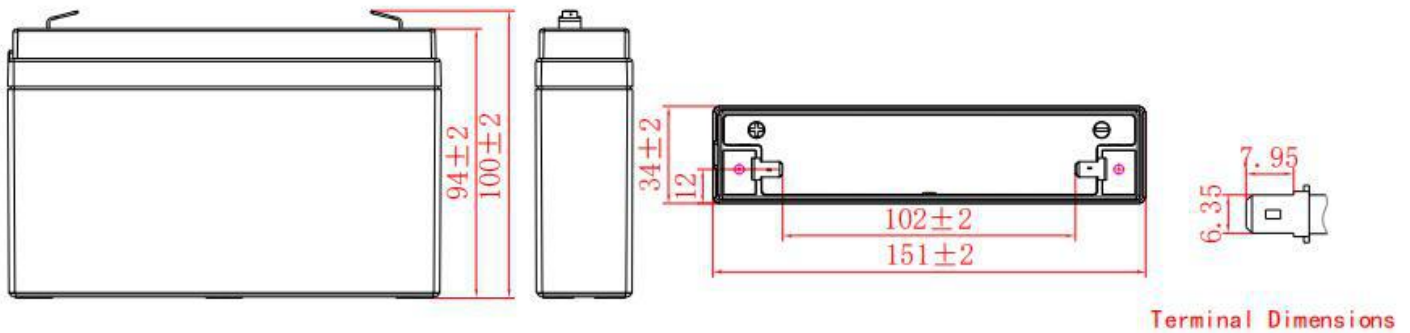
General Features

- ▶ High corrosion resistant performance: Pb-Ca multi-alloy grid
- ▶ High energy density and power density
- ▶ Optimized capability of instant high-current discharging
- ▶ Excellent charge acceptance ability
- ▶ Excellent deep cycle discharge capability
- ▶ Strong high and low temperature performance
- ▶ Precision sealing technology



Dimension: 151(L) × 34(W) × 94(H) × 100(TH)

Unit: mm



Specification	
Nominal Voltage	6V
Nominal Capacity	7.0Ah
Design life	5 years
Terminal	F1/F2
Approx. Weight	Approx 1.02kg (2.25lbs)
Container Material	ABS
short-circuit current	333A
Internal resistance(Full charged at 25°C:)	18.0 mΩ
Self discharge	3% of capacity declined per month at 25°C
Operating Temperature	
Discharge:	-20 ~50°C(-4~ 122°F)
Charge :	-20 ~50°C(-4~ 122°F)
Storage:	-20 ~50°C(-4~ 122°F)
Charge Method(25 °C)	
Charge current:	Max. 1.75A;Recom.0.70A
Float charge:6.75-6.90V	recom.6.75V(-9mV/ °C)
Equalize charge:6.90-7.05V	recom.7.05V(-12mV/ °C)
Cycle charge:7.20-7.50V	recom.7.35V(-15mV/ °C)

Standards

Executive standard GB/T 19639.1-2014

Applications

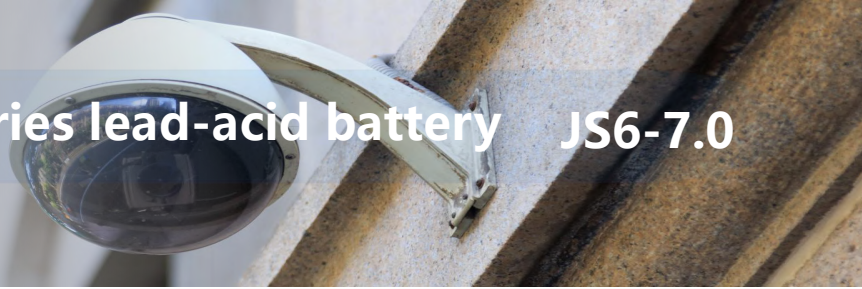
- ▶ UPS/EPS
- ▶ Power systems
- ▶ Telecommunications system
- ▶ Emergency lighting, Auto control system
- ▶ Solar/wind generating storage cyclic
- ▶ Other general purpose

Rated Capacity

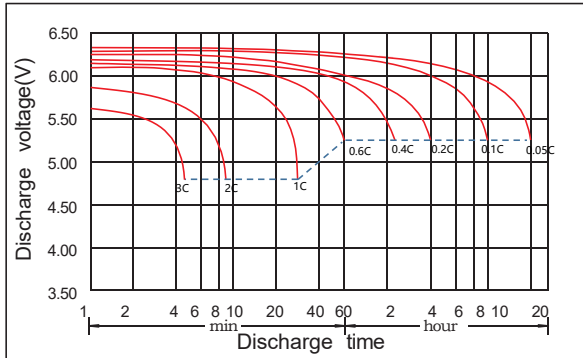
20Hour Rate (0.350A to 5.25V)	7.00Ah
3Hour Rate (2.01A to 5.10V)	6.03Ah
1Hour Rate (4.70A to 4.80V)	4.70Ah

Attain Certificate

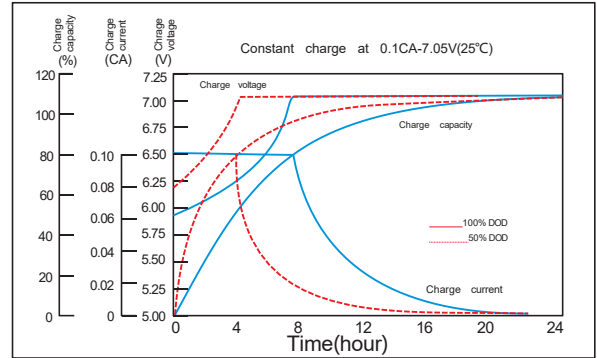




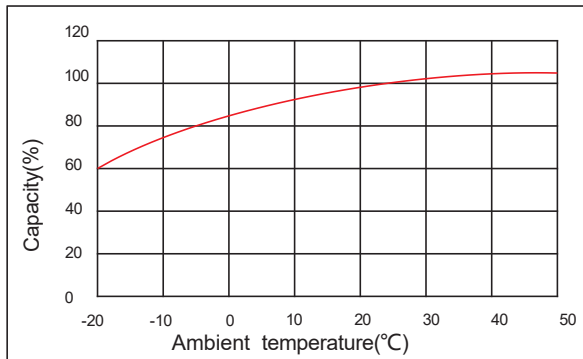
Discharge characteristic



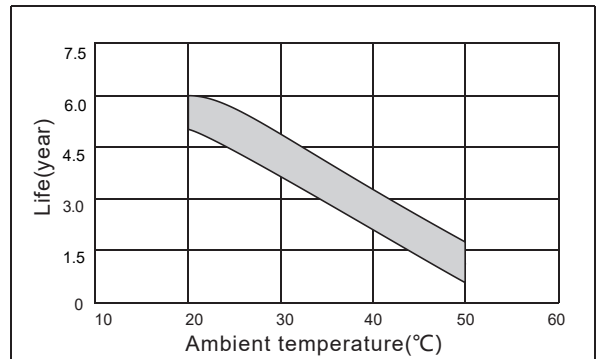
Charging characteristic



The effect of temperature on capacity



The effect of temperature on float life



Constant Current Discharge Characteristics Unit:A (25°C,77°F)

FV/Time	5min	10min	15min	30min	45min	1h	1.5h	2h	3h	4h	5h	6h	8h	10h	20h
1.60V	27.6	17.9	15.2	8.84	5.77	4.70	2.87	2.69	2.12	1.58	1.33	1.02	0.883	0.705	0.371
1.65V	27.3	17.1	14.0	8.41	5.41	4.41	2.84	2.58	2.05	1.52	1.31	1.01	0.869	0.698	0.364
1.70V	22.5	16.1	13.0	8.15	5.24	4.27	2.78	2.54	2.01	1.44	1.30	0.988	0.854	0.683	0.357
1.75V	20.8	15.4	12.2	7.96	5.05	4.12	2.72	2.47	1.98	1.42	1.24	0.961	0.840	0.669	0.350
1.80V	19.2	14.4	11.3	7.70	4.88	3.98	2.66	2.40	1.88	1.40	1.19	0.943	0.833	0.655	0.336
1.85V	17.1	13.4	10.0	7.05	4.52	3.68	2.58	2.29	1.76	1.35	1.14	0.917	0.812	0.635	0.331

Constant Power Discharge Characteristics Unit: W/cell (25°C ,77°F)

FV/Time	5min	10min	15min	30min	45min	1h	1.5h	2h	3h	4h	5h	6h	8h	10h	20h
1.60V	51.8	32.3	28.0	15.0	10.3	8.61	5.75	5.05	4.00	2.98	2.53	1.99	1.66	1.36	0.735
1.65V	47.7	30.5	26.2	14.9	9.70	8.11	5.67	4.85	3.88	2.88	2.48	1.97	1.64	1.34	0.715
1.70V	43.6	29.7	25.0	14.8	9.43	7.86	5.60	4.76	3.82	2.74	2.41	1.95	1.63	1.33	0.710
1.75V	39.6	28.7	24.1	14.6	9.17	7.63	5.48	4.67	3.68	2.71	2.36	1.90	1.57	1.30	0.694
1.80V	35.5	27.8	23.0	14.5	8.99	7.52	5.37	4.62	3.66	2.68	2.30	1.87	1.50	1.27	0.690
1.85V	31.7	25.9	20.7	13.3	8.44	7.03	5.29	4.04	3.50	2.63	2.20	1.83	1.44	1.25	0.683