



JPC Series lead-Carbon battery

JPC12-200

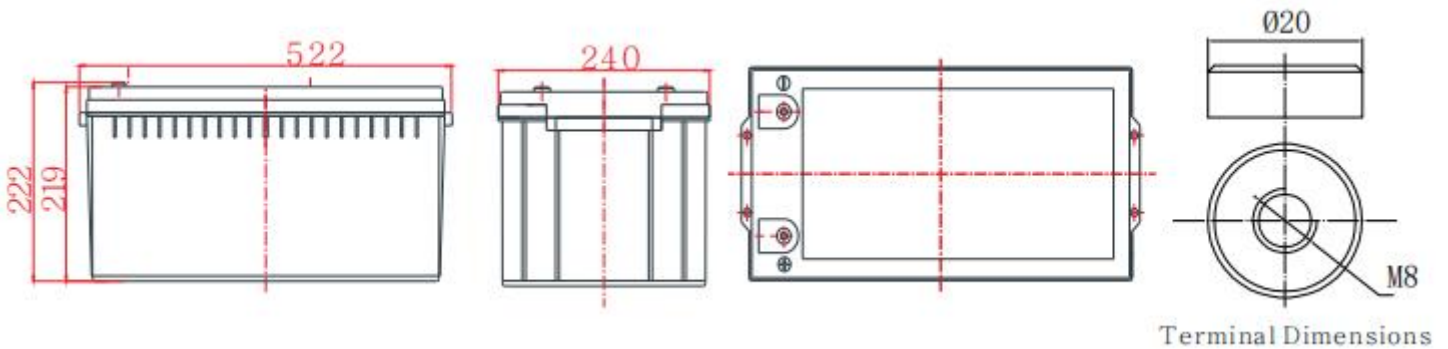
General Features

- ▶ Lead-carbon composite negative plate, both capacitance and battery characteristics
- ▶ Long cycle life, excellent deep cycle discharge ability
- ▶ Excellent charge acceptance ability
- ▶ Optimized capability of instant high-current discharging
- ▶ Strong high and low temperature performance
- ▶ Precision sealing technology



Dimension: 522(L) × 240(W) × 219(H) × 222(TH)

Unit: mm



Specification	
Nominal Voltage	12V
Nominal Capacity	200Ah
Design life	10 years
Terminal	M8
Approx. Weight	Approx 60.5kg (133.4lbs)
Container Material	ABS
short-circuit current	3000A
Internal resistance(Full charged at 25°C:)	4.0 mΩ
Self discharge	3% of capacity declined per month at 25°C
Operating Temperature	
Discharge:	-20 ~50°C(-4~ 122°F)
Charge :	-20 ~50°C(-4~ 122°F)
Storage:	-20 ~50°C(-4~ 122°F)
Charge Method(25 °C)	
Charge current:	Max. 50A;Recom.20A
Float charge:13.5-13.8V	recom.13.8V(-18mV/ °C)
Equalize charge:13.8-14.1V	recom.14.1V(-24mV/ °C)
Cycle charge:14.4-15.0V	recom.14.7V(-30mV/ °C)

Standards

Executive standard YD/T 799-2010

Applications

- ▶ Solar/ wind energy and other new energy storage
- ▶ Hybrid vehicles, electric bicycles and other new energy vehicles
- ▶ Other backup or cycle purposes

Rated Capacity

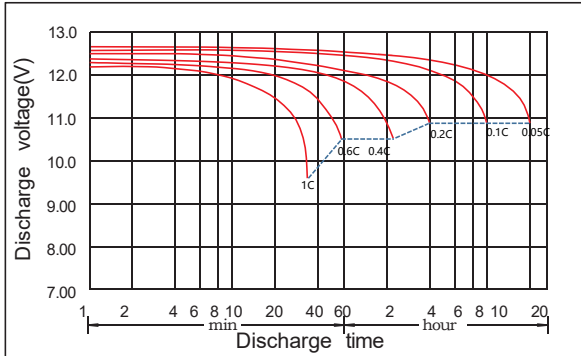
10Hour Rate (20.0A to 10.8V)	200.0Ah
3Hour Rate (57.1A to 10.2V)	171.3Ah
1Hour Rate (141A to 9.6V)	141.0Ah

Attain Certificate

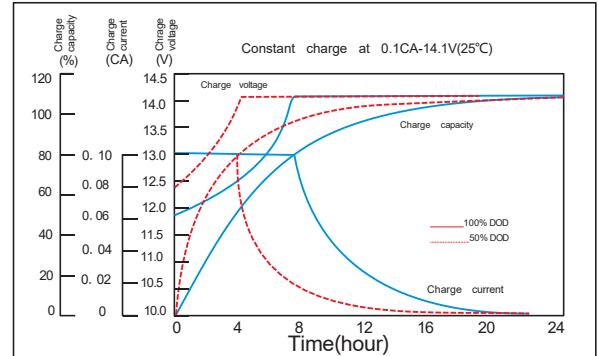


Disclaimer: Manufacturers have the right to self-modify the parameters of the product updates, please keep in touch with manufacturers to obtain the latest information.

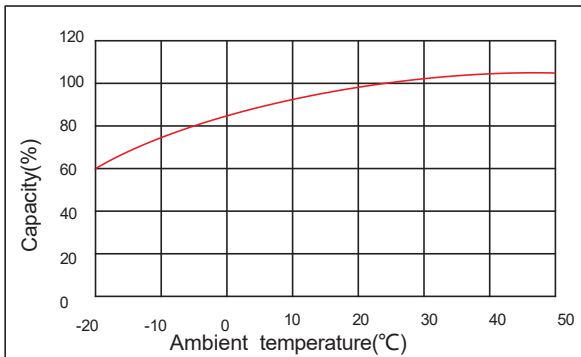
Discharge characteristic



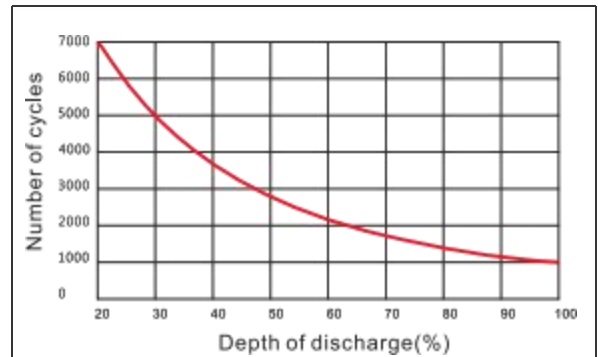
Charging characteristic



The effect of temperature on capacity



The effect of discharge depth on cycle life



Constant Current Discharge Characteristics Unit:A (25°C,77°F)

FV/Time	5min	10min	15min	30min	45min	1h	1.5h	2h	3h	4h	5h	6h	8h	10h	20h
1.60V	306	306	306	192	166	141	88.5	80.6	58.5	42.3	39.2	31.3	25.8	21.1	11.2
1.65V	301	301	301	189	164	140	87.7	80.2	57.9	42.0	38.9	31.1	25.6	20.9	11.0
1.70V	289	289	289	185	162	139	86.8	79.6	57.1	41.5	38.5	30.7	25.4	20.7	10.9
1.75V	266	266	266	184	160	137	86.0	78.3	56.4	41.2	38.1	30.5	25.1	20.5	10.7
1.80V	238	238	238	176	154	133	85.2	76.9	56.0	40.7	37.0	30.1	25.0	20.0	10.5
1.85V	212	212	212	161	142	124	82.5	73.1	52.8	39.6	35.2	29.2	24.0	19.4	10.3

Constant Power Discharge Characteristics Unit: W/cell (25°C ,77°F)

FV/Time	5min	10min	15min	30min	45min	1h	1.5h	2h	3h	4h	5h	6h	8h	10h	20h
1.60V	520	520	520	376	326	276	174	159	115	83.4	77.3	61.7	51.1	41.8	22.2
1.65V	512	512	512	370	322	274	173	158	114	82.7	76.7	61.2	50.6	41.4	21.8
1.70V	491	491	491	363	318	273	171	157	113	81.8	75.8	60.5	50.3	41.0	21.5
1.75V	452	452	452	361	315	269	169	154	111	81.1	75.0	60.0	49.8	40.6	21.2
1.80V	404	404	404	345	303	262	168	151	110	80.3	72.9	59.2	49.4	39.6	20.8
1.85V	363	363	363	317	280	245	163	145	104	78.4	69.6	57.9	47.7	38.7	20.5