

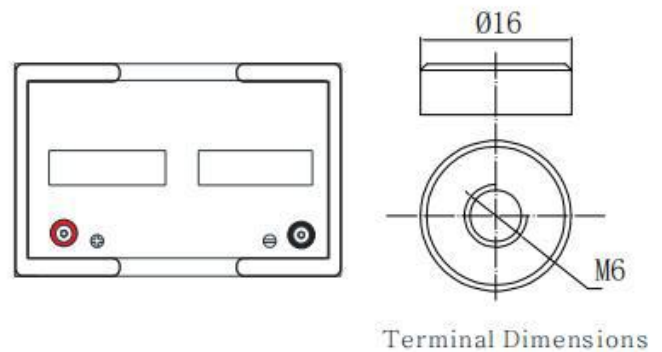
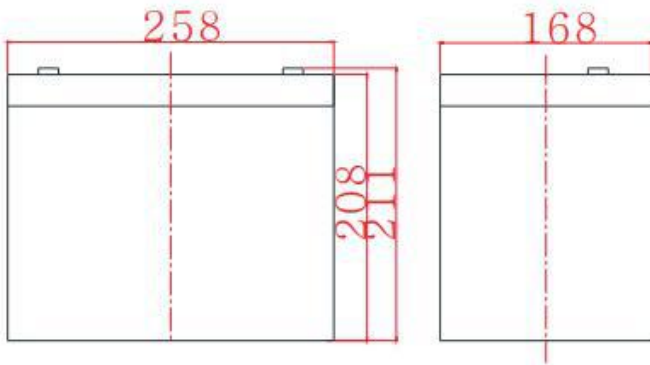
## General Features

- ▶ High corrosion resistant performance: Pb-Ca multi-alloy grid
- ▶ High energy density and power density
- ▶ Optimized capability of instant high-current discharging
- ▶ Excellent charge acceptance ability
- ▶ Excellent deep cycle discharge capability
- ▶ Strong high and low temperature performance
- ▶ Precision sealing technology
- ▶ Long life



**Dimension: 258(L) × 168(W) × 208(H) × 211(TH)**

**Unit: mm**



Terminal Dimensions

| Specification                                |   |
|--|---|
| Nominal Voltage                              | 12V                                       |
| Nominal Capacity                             | 70Ah                                      |
| Design life                                  | 10 years                                  |
| Terminal                                     | M6  |
| Approx. Weight                               | Approx. 22.5kg (49.6lbs)                  |
| Container Material                           | ABS                                       |
| short-circuit current                        | 1818A                                     |
| Internal resistance (Full charged at 25°C: ) | 6.6 mΩ                                    |
| Self discharge                               | 3% of capacity declined per month at 25°C |
| Operating Temperature                        |   |
| Discharge:                                   | -20 ~50°C (-4 ~ 122°F)                    |
| Charge :                                     | -20 ~50°C (-4 ~ 122°F)                    |
| Storage:                                     | -20 ~50°C (-4 ~ 122°F)                    |
| Charge Method (25 °C)                        |   |
| Charge current:                              | Max. 17.5A; Recom. 7.0A                   |
| Float charge: 13.5-13.8V                     | recom. 13.8V (-18mV/ °C)                  |
| Equalize charge: 13.8-14.1V                  | recom. 14.1V (-24mV/ °C)                  |
| Cycle charge: 14.4-15.0V                     | recom. 14.7V (-30mV/ °C)                  |

## Standards

Executive standard YD/T 799-2010

## Applications

- ▶ UPS/EPS
- ▶ Power systems
- ▶ Telecommunications system
- ▶ Emergency lighting, Auto control system
- ▶ Solar/wind generating storage cyclic
- ▶ Other general purpose

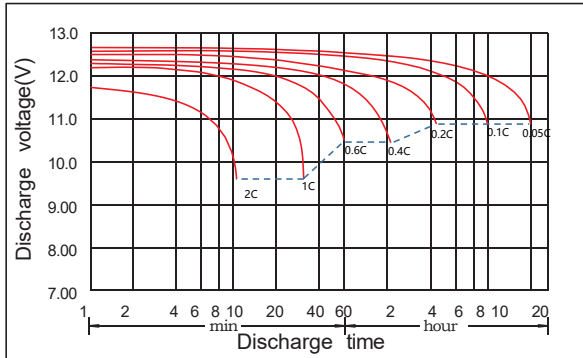
## Rated Capacity

|                              |        |
|------------------------------|--------|
| 10Hour Rate (7.00A to 10.8V) | 70.0Ah |
| 3Hour Rate (19.1A to 10.2V)  | 57.3Ah |
| 1Hour Rate (47.1A to 9.6V)   | 47.1Ah |

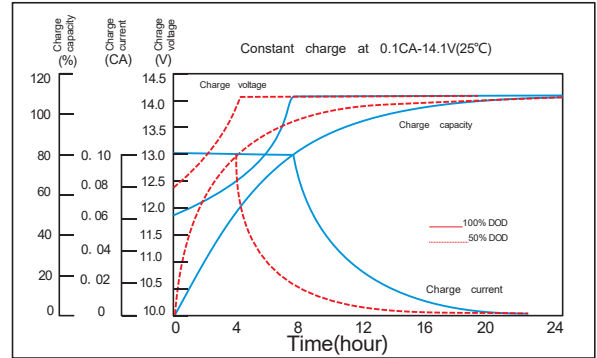
## Attain Certificate



## Discharge characteristic



## Charging characteristic



## The effect of temperature on capacity



## The effect of temperature on float life



### Constant Current Discharge Characteristics Unit:A (25°C,77°F)

| FV/Time | 5min | 10min | 15min | 30min | 45min | 1h   | 1.5h | 2h   | 3h   | 4h   | 5h   | 6h   | 8h   | 10h  | 20h  |
|---------|------|-------|-------|-------|-------|------|------|------|------|------|------|------|------|------|------|
| 1.60V   | 247  | 164   | 133   | 80.6  | 57.8  | 47.1 | 29.6 | 27.0 | 19.6 | 14.2 | 13.2 | 10.5 | 8.65 | 7.28 | 3.82 |
| 1.65V   | 239  | 163   | 128   | 79.2  | 57.5  | 46.9 | 29.3 | 26.9 | 19.4 | 14.1 | 13.0 | 10.4 | 8.58 | 7.21 | 3.80 |
| 1.70V   | 230  | 162   | 126   | 77.9  | 57.0  | 46.5 | 29.0 | 26.7 | 19.1 | 13.9 | 12.9 | 10.3 | 8.51 | 7.14 | 3.78 |
| 1.75V   | 211  | 159   | 122   | 77.2  | 56.2  | 45.8 | 28.8 | 26.3 | 18.9 | 13.8 | 12.8 | 10.2 | 8.44 | 7.07 | 3.77 |
| 1.80V   | 189  | 156   | 113   | 73.8  | 54.8  | 44.7 | 28.5 | 25.8 | 18.8 | 13.7 | 12.4 | 10.1 | 8.37 | 7.00 | 3.75 |
| 1.85V   | 169  | 144   | 101   | 67.4  | 50.8  | 41.4 | 27.6 | 24.5 | 17.7 | 13.2 | 11.8 | 9.79 | 8.02 | 6.79 | 3.68 |

### Constant Power Discharge Characteristics Unit: W/cell (25°C ,77°F )

| FV/Time | 5min | 10min | 15min | 30min | 45min | 1h   | 1.5h | 2h   | 3h   | 4h   | 5h   | 6h   | 8h   | 10h  | 20h  |
|---------|------|-------|-------|-------|-------|------|------|------|------|------|------|------|------|------|------|
| 1.60V   | 414  | 278   | 233   | 146   | 107   | 89.1 | 59.1 | 51.1 | 37.3 | 28.0 | 25.0 | 20.5 | 16.8 | 14.0 | 7.56 |
| 1.65V   | 398  | 276   | 229   | 144   | 106   | 88.4 | 58.7 | 51.0 | 36.8 | 27.8 | 24.8 | 20.4 | 16.7 | 13.9 | 7.53 |
| 1.70V   | 396  | 274   | 227   | 144   | 105   | 87.7 | 57.8 | 50.8 | 36.6 | 27.4 | 24.6 | 20.1 | 16.6 | 13.7 | 7.49 |
| 1.75V   | 369  | 272   | 225   | 144   | 105   | 87.1 | 57.4 | 50.5 | 36.4 | 27.2 | 24.5 | 19.9 | 16.5 | 13.6 | 7.46 |
| 1.80V   | 339  | 270   | 213   | 140   | 104   | 86.4 | 56.5 | 50.4 | 36.3 | 26.8 | 24.2 | 19.7 | 16.3 | 13.4 | 7.42 |
| 1.85V   | 303  | 250   | 190   | 129   | 96.2  | 80.2 | 55.7 | 48.1 | 34.5 | 26.4 | 23.1 | 19.4 | 15.8 | 13.2 | 7.35 |