

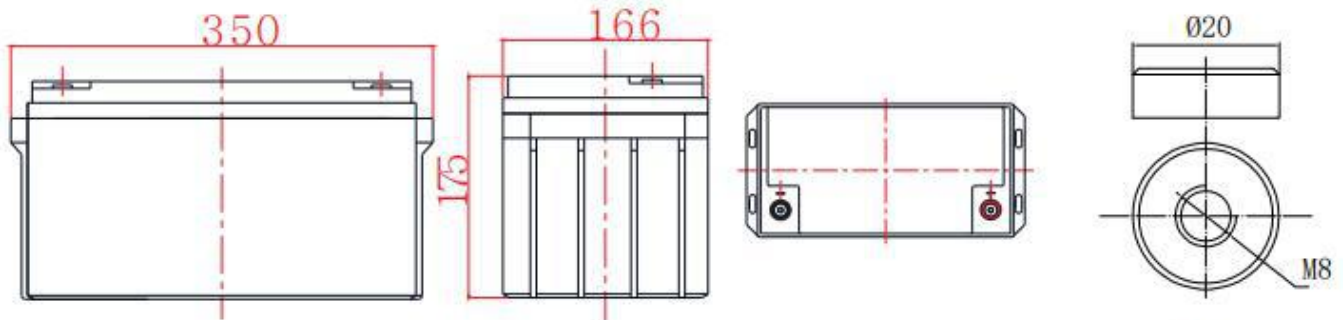
General Features

- ▶ High corrosion resistant performance: Pb-Ca multi-alloy grid
- ▶ High energy density and power density
- ▶ Optimized capability of instant high-current discharging
- ▶ Excellent charge acceptance ability
- ▶ Excellent deep cycle discharge capability
- ▶ Strong high and low temperature performance
- ▶ Precision sealing technology
- ▶ Long life



Dimension: 350(L) × 166(W) × 175(H) × 175(TH)

Unit: mm



Terminal Dimensions

Specification	
Nominal Voltage	12V
Nominal Capacity	65Ah
Design life	10 years
Terminal	M8
Approx. Weight	Approx. 20.6kg (45.4lbs)
Container Material	ABS
short-circuit current	1714A
Internal resistance (Full charged at 25°C:)	7.0 mΩ
Self discharge	3% of capacity declined per month at 25°C
Operating Temperature	
Discharge:	-20 ~50°C (-4 ~ 122°F)
Charge :	-20 ~50°C (-4 ~ 122°F)
Storage:	-20 ~50°C (-4 ~ 122°F)
Charge Method (25 °C)	
Charge current:	Max. 16.3A; Recom. 6.5A
Float charge: 13.5-13.8V	recom. 13.8V (-18mV/ °C)
Equalize charge: 13.8-14.1V	recom. 14.1V (-24mV/ °C)
Cycle charge: 14.4-15.0V	recom. 14.7V (-30mV/ °C)

Standards

Executive standard YD/T 799-2010

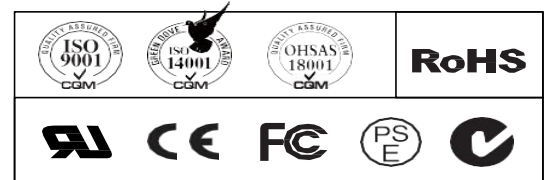
Applications

- ▶ UPS/EPS
- ▶ Power systems
- ▶ Telecommunications system
- ▶ Emergency lighting, Auto control system
- ▶ Solar/wind generating storage cyclic
- ▶ Other general purpose

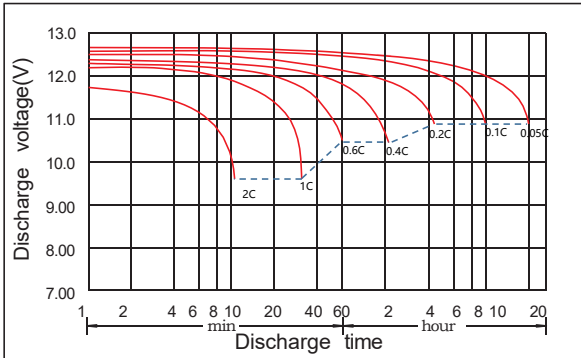
Rated Capacity

10Hour Rate (6.50A to 10.8V)	65.0Ah
3Hour Rate (17.8A to 10.2V)	53.4Ah
1Hour Rate (43.8A to 9.6V)	43.8Ah

Attain Certificate



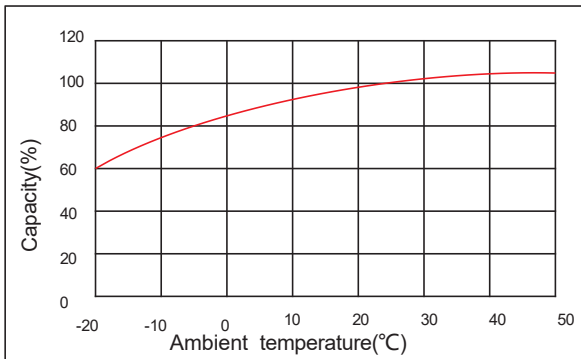
Discharge characteristic



Charging characteristic



The effect of temperature on capacity



The effect of temperature on float life



Constant Current Discharge Characteristics Unit:A (25°C,77°F)

FV/Time	5min	10min	15min	30min	45min	1h	1.5h	2h	3h	4h	5h	6h	8h	10h	20h
1.60V	229	152	123	74.8	53.7	43.8	27.5	25.1	18.2	13.2	12.2	9.75	8.03	6.76	3.55
1.65V	222	151	119	73.6	53.4	43.5	27.2	25.0	18.0	13.1	12.1	9.66	7.96	6.70	3.53
1.70V	213	150	117	72.3	53.0	43.2	27.0	24.8	17.8	12.9	12.0	9.56	7.90	6.63	3.51
1.75V	196	148	113	71.7	52.3	42.6	26.7	24.4	17.6	12.8	11.8	9.47	7.83	6.57	3.50
1.80V	176	144	105	68.5	50.9	41.5	26.4	24.0	17.5	12.7	11.5	9.37	7.77	6.50	3.48
1.85V	157	134	93.9	62.6	47.1	38.4	25.7	22.7	16.4	12.3	11.0	9.10	7.45	6.31	3.42

Constant Power Discharge Characteristics Unit: W/cell (25°C ,77°F)

FV/Time	5min	10min	15min	30min	45min	1h	1.5h	2h	3h	4h	5h	6h	8h	10h	20h
1.60V	384	258	217	135	99.2	82.7	54.9	47.5	34.7	26.0	23.2	19.1	15.6	13.0	7.02
1.65V	369	256	213	134	98.5	82.1	54.4	47.3	34.2	25.8	23.1	18.9	15.5	12.9	6.99
1.70V	367	254	210	134	97.8	81.5	53.6	47.1	34.0	25.4	22.9	18.6	15.4	12.7	6.96
1.75V	343	252	209	134	97.0	80.8	53.2	46.9	33.8	25.2	22.7	18.5	15.3	12.6	6.92
1.80V	315	250	198	130	96.2	80.2	52.8	46.8	33.7	25.0	22.5	18.3	15.2	12.5	6.89
1.85V	281	232	177	120	89.4	74.5	51.9	44.7	32.0	24.6	21.5	18.0	14.6	12.3	6.83