

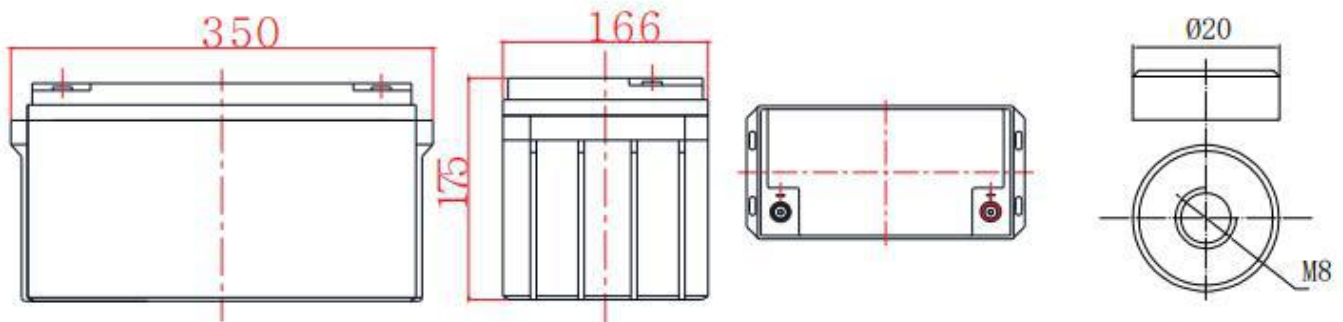
General Features

- ▶ High corrosion resistant performance: Pb-Ca multi-alloy grid
- ▶ High energy density and power density
- ▶ Optimized capability of instant high-current discharging
- ▶ Excellent charge acceptance ability
- ▶ Excellent deep cycle discharge capability
- ▶ Strong high and low temperature performance
- ▶ Precision sealing technology
- ▶ Long life



Dimension: 350(L) × 166(W) × 175(H) × 175(TH)

Unit: mm



Terminal Dimensions

Specification	
Nominal Voltage	12V
Nominal Capacity	65Ah
Design life	10 years
Terminal	M8
Approx. Weight	Approx 19.0kg (41.9lbs)
Container Material	ABS
short-circuit current	1600A
Internal resistance(Full charged at 25°C:)	7.5 mΩ
Self discharge	3% of capacity declined per month at 25°C
Operating Temperature	
Discharge:	-20 ~50°C(-4~ 122°F)
Charge :	-20 ~50°C(-4~ 122°F)
Storage:	-20 ~50°C(-4~ 122°F)
Charge Method(25 °C)	
Charge current:	Max. 16.3A; Recom. 6.5A
Float charge: 13.5-13.8V	recom. 13.8V(-18mV/ °C)
Equalize charge: 13.8-14.1V	recom. 14.1V(-24mV/ °C)
Cycle charge: 14.4-15.0V	recom. 14.7V(-30mV/ °C)

Standards

Executive standard YD/T 799-2010

Applications

- ▶ UPS/EPS
- ▶ Power systems
- ▶ Telecommunications system
- ▶ Emergency lighting, Auto control system
- ▶ Solar/wind generating storage cyclic
- ▶ Other general purpose

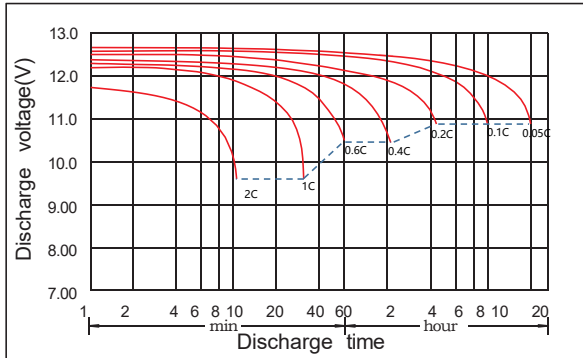
Rated Capacity

20Hour Rate (3.25A to 10.5V)	65.0Ah
3Hour Rate (16.5A to 10.2V)	49.5Ah
1Hour Rate (40.7A to 9.6V)	40.7Ah

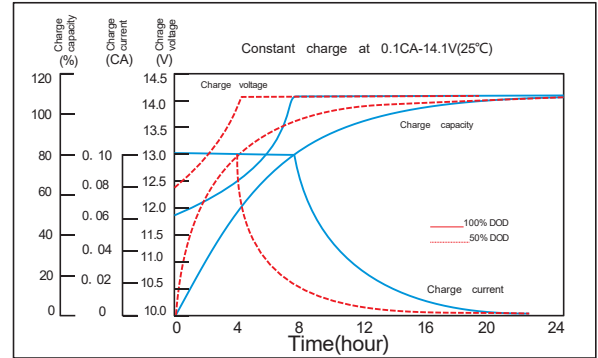
Attain Certificate



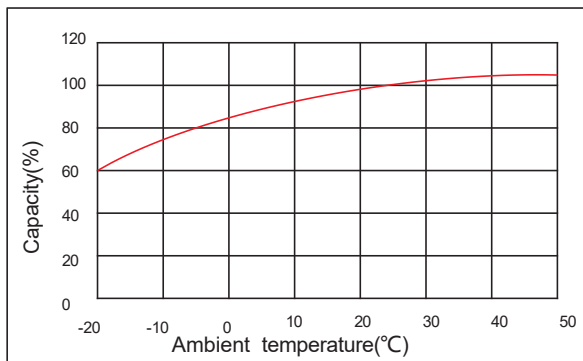
Discharge characteristic



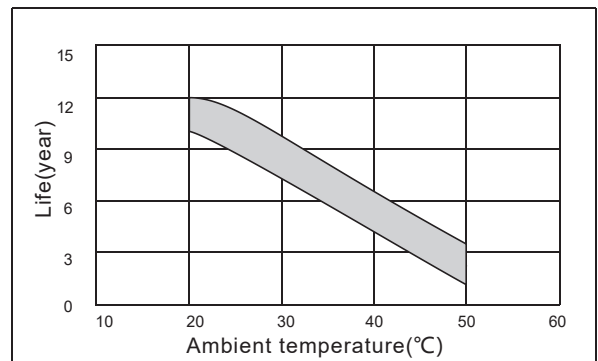
Charging characteristic



The effect of temperature on capacity



The effect of temperature on float life



Constant Current Discharge Characteristics Unit:A (25°C,77°F)

FV/Time	5min	10min	15min	30min	45min	1h	1.5h	2h	3h	4h	5h	6h	8h	10h	20h
1.60V	213	141	114	69.5	49.9	40.7	25.5	23.3	16.9	12.3	11.3	9.05	7.46	6.28	3.30
1.65V	206	140	111	68.3	49.6	40.4	25.3	23.2	16.7	12.2	11.2	8.91	7.39	6.22	3.28
1.70V	198	139	109	67.1	49.2	40.1	25.1	23.0	16.5	12.0	11.1	8.88	7.34	6.16	3.26
1.75V	182	137	105	66.6	48.6	39.6	24.8	22.7	16.3	11.9	11.0	8.79	7.27	6.10	3.25
1.80V	163	134	97.5	63.6	47.3	38.5	24.5	22.3	16.3	11.8	10.7	8.70	7.22	6.04	3.23
1.85V	146	124	87.2	58.1	43.7	35.7	23.9	21.1	15.2	11.4	10.2	8.45	6.92	5.86	3.18

Constant Power Discharge Characteristics Unit: W/cell (25°C ,77°F)

FV/Time	5min	10min	15min	30min	45min	1h	1.5h	2h	3h	4h	5h	6h	8h	10h	20h
1.60V	357	240	202	125	92.1	76.8	51.0	44.1	32.2	24.1	21.5	17.7	14.5	12.1	6.52
1.65V	343	238	198	124	91.5	76.2	50.5	43.9	31.8	24.0	21.5	17.6	14.4	12.0	6.49
1.70V	341	236	195	124	90.8	75.7	49.8	43.7	31.6	23.6	21.3	17.3	14.3	11.8	6.46
1.75V	319	234	194	124	90.1	75.0	49.4	43.6	31.6	23.4	21.1	17.2	14.2	11.7	6.43
1.80V	293	232	184	121	89.3	74.5	49.0	43.5	31.3	23.2	20.9	17.0	14.1	11.6	6.40
1.85V	261	215	164	111	83.0	69.2	48.2	41.5	29.7	22.8	20.0	16.7	13.6	11.4	6.34