

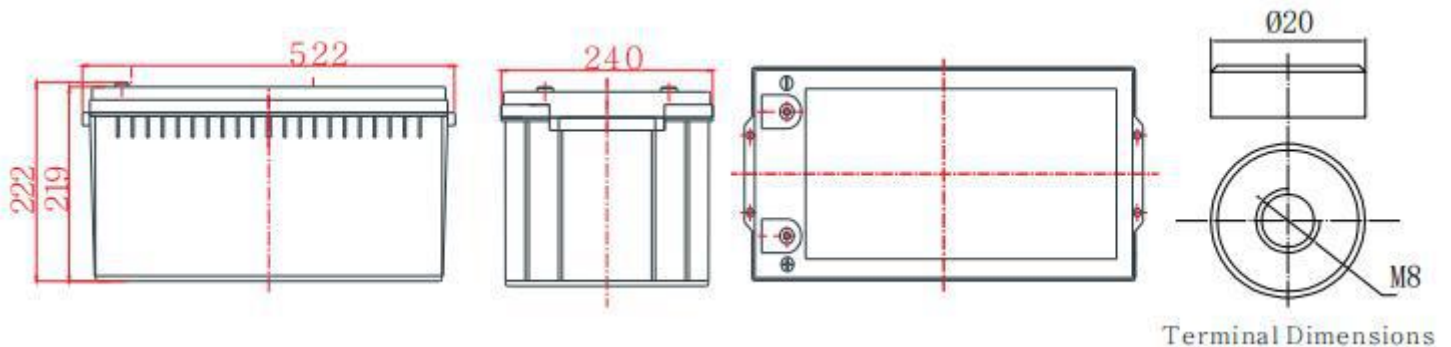
General Features

- ▶ High corrosion resistant performance: Pb-Ca multi-alloy grid
- ▶ High energy density and power density
- ▶ Optimized capability of instant high-current discharging
- ▶ Excellent charge acceptance ability
- ▶ Excellent deep cycle discharge capability
- ▶ Strong high and low temperature performance
- ▶ Precision sealing technology
- ▶ Long life



Dimension: 522(L) × 240(W) × 219(H) × 222(TH)

Unit: mm



Specification	
Nominal Voltage	12V
Nominal Capacity	200Ah
Design life	10 years
Terminal	M8
Approx. Weight	Approx 60.5kg (133.4lbs)
Container Material	ABS
short-circuit current	3000A
Internal resistance(Full charged at 25°C:)	4.0 mΩ
Self discharge	3% of capacity declined per month at 25°C
Operating Temperature	
Discharge:	-20 ~50°C(-4~ 122°F)
Charge :	-20 ~50°C(-4~ 122°F)
Storage:	-20 ~50°C(-4~ 122°F)
Charge Method(25 °C)	
Charge current:	Max. 50A;Recom.20A
Float charge:13.5-13.8V	recom.13.8V(-18mV/ °C)
Equalize charge:13.8-14.1V	recom.14.1V(-24mV/ °C)
Cycle charge:14.4-15.0V	recom.14.7V(-30mV/ °C)

Standards

Executive standard YD/T 799-2010

Applications

- ▶ UPS/EPS
- ▶ Power systems
- ▶ Telecommunications system
- ▶ Emergency lighting, Auto control system
- ▶ Solar/wind generating storage cyclic
- ▶ Other general purpose

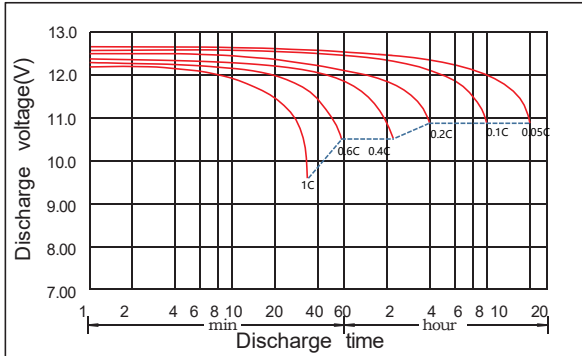
Rated Capacity

10Hour Rate (20.0A to 10.8V)	200.0Ah
3Hour Rate (57.1A to 10.2V)	171.3Ah
1Hour Rate (141A to 9.6V)	141.0Ah

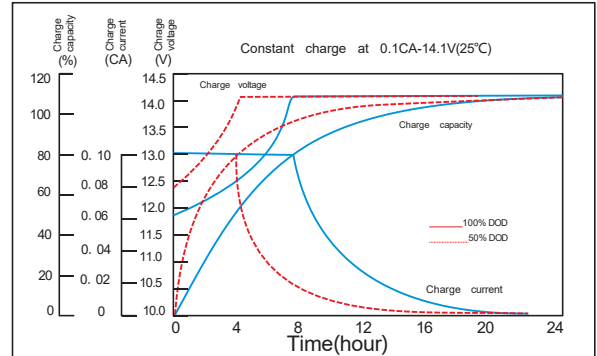
Attain Certificate



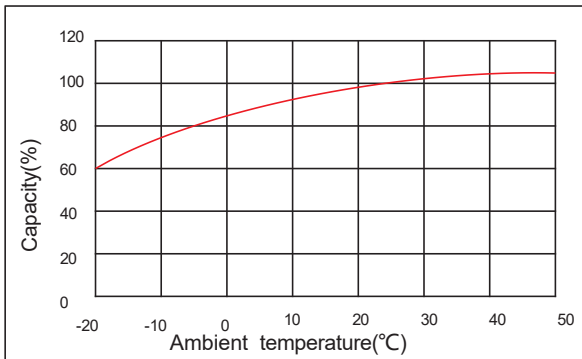
Discharge characteristic



Charging characteristic



The effect of temperature on capacity



The effect of temperature on float life



Constant Current Discharge Characteristics Unit:A (25°C,77°F)

FV/Time	5min	10min	15min	30min	45min	1h	1.5h	2h	3h	4h	5h	6h	8h	10h	20h
1.60V	306	306	306	192	166	141	88.5	80.6	58.5	42.3	39.2	31.3	25.8	21.1	11.2
1.65V	301	301	301	189	164	140	87.7	80.2	57.9	42.0	38.9	31.1	25.6	20.9	11.0
1.70V	289	289	289	185	162	139	86.8	79.6	57.1	41.5	38.5	30.7	25.4	20.7	10.9
1.75V	266	266	266	184	160	137	86.0	78.3	56.4	41.2	38.1	30.5	25.1	20.5	10.7
1.80V	238	238	238	176	154	133	85.2	76.9	56.0	40.7	37.0	30.1	25.0	20.0	10.5
1.85V	212	212	212	161	142	124	82.5	73.1	52.8	39.6	35.2	29.2	24.0	19.4	10.3

Constant Power Discharge Characteristics Unit: W/cell (25°C ,77°F)

FV/Time	5min	10min	15min	30min	45min	1h	1.5h	2h	3h	4h	5h	6h	8h	10h	20h
1.60V	520	520	520	376	326	276	174	159	115	83.4	77.3	61.7	51.1	41.8	22.2
1.65V	512	512	512	370	322	274	173	158	114	82.7	76.7	61.2	50.6	41.4	21.8
1.70V	491	491	491	363	318	273	171	157	113	81.8	75.8	60.5	50.3	41.0	21.5
1.75V	452	452	452	361	315	269	169	154	111	81.1	75.0	60.0	49.8	40.6	21.2
1.80V	404	404	404	345	303	262	168	151	110	80.3	72.9	59.2	49.4	39.6	20.8
1.85V	363	363	363	317	280	245	163	145	104	78.4	69.6	57.9	47.7	38.7	20.5