



JM Series lead-acid battery JM12-200

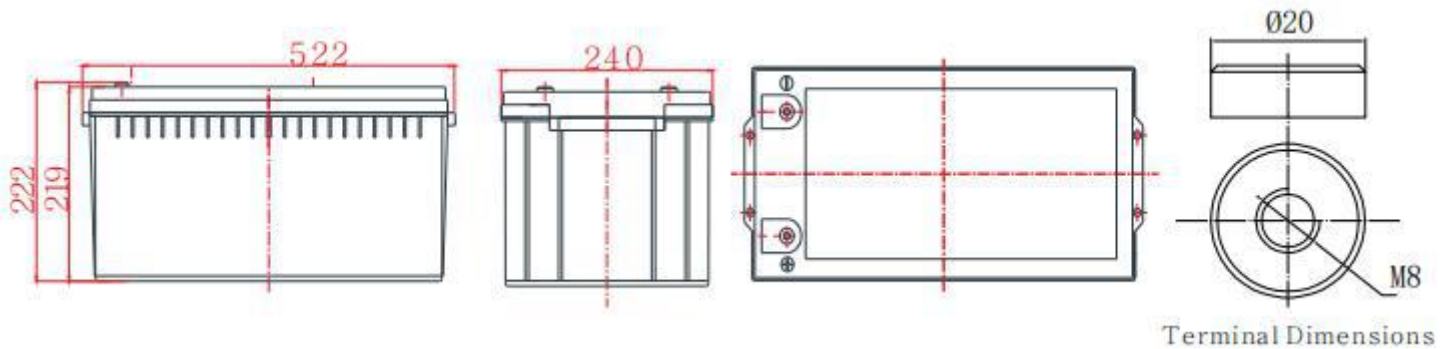
General Features

- ▶ High corrosion resistant performance: Pb-Ca multi-alloy grid
- ▶ High energy density and power density
- ▶ Optimized capability of instant high-current discharging
- ▶ Excellent charge acceptance ability
- ▶ Excellent deep cycle discharge capability
- ▶ Strong high and low temperature performance
- ▶ Precision sealing technology
- ▶ Long life



Dimension: 522(L) × 240(W) × 219(H) × 222(TH)

Unit: mm



Specification	
Nominal Voltage	12V
Nominal Capacity	200Ah
Design life	10 years
Terminal	M8
Approx. Weight	Approx 61.5kg (136lbs)
Container Material	ABS
short-circuit current	3000A
Internal resistance(Full charged at 25°C:)	4.0 mΩ
Self discharge	3% of capacity declined per month at 25°C
Operating Temperature	
Discharge:	-20 ~50°C(-4~ 122°F)
Charge :	-20 ~50°C(-4~ 122°F)
Storage:	-20 ~50°C(-4~ 122°F)
Charge Method(25 °C)	
Charge current:	Max. 50A;Recom.20A
Float charge:13.5-13.8V	recom.13.8V(-18mV/ °C)
Equalize charge:13.8-14.1V	recom.14.1V(-24mV/ °C)
Cycle charge:14.4-15.0V	recom.14.7V(-30mV/ °C)

Standards

Executive standard YD/T 799-2010

Applications

- ▶ UPS/EPS
- ▶ Power systems
- ▶ Telecommunications system
- ▶ Emergency lighting, Auto control system
- ▶ Solar/wind generating storage cyclic
- ▶ Other general purpose

Rated Capacity

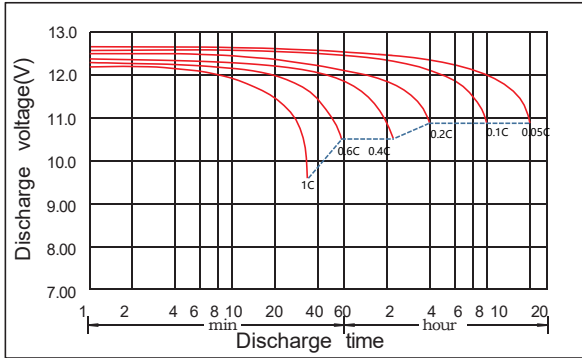
10Hour Rate (20.0A to 10.8V)	200.0Ah
3Hour Rate (57.8A to 10.2V)	173.4Ah
1Hour Rate (142A to 9.6V)	142.0Ah

Attain Certificate

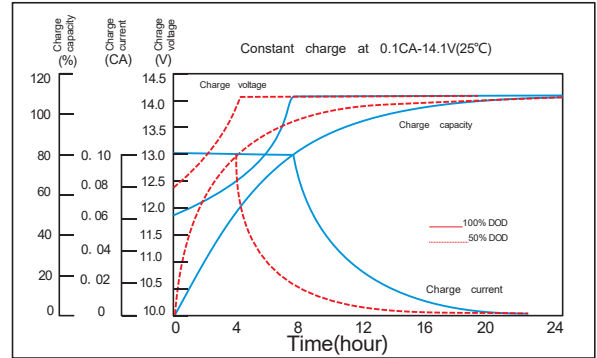


Disclaimer: Manufacturers have the right to self-modify the parameters of the product updates, please keep in touch with manufacturers to obtain the latest information.

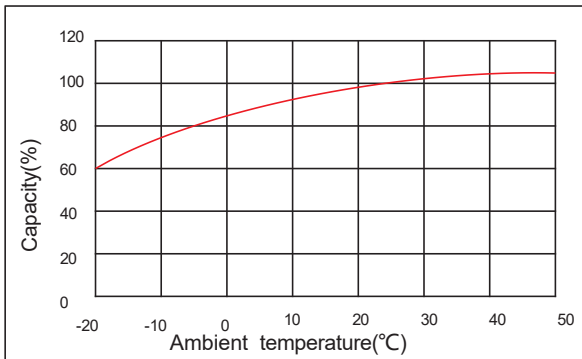
Discharge characteristic



Charging characteristic



The effect of temperature on capacity



The effect of temperature on float life



Constant Current Discharge Characteristics Unit:A (25°C,77°F)

FV/Time	5min	10min	15min	30min	45min	1h	1.5h	2h	3h	4h	5h	6h	8h	10h	20h
1.60V	306	306	306	194	168	142	89.6	81.5	59.2	42.8	39.7	31.7	26.1	21.7	11.3
1.65V	301	301	301	191	166	141	88.7	81.1	58.6	42.5	39.4	31.4	25.9	21.5	11.2
1.70V	289	289	289	188	164	140	87.9	80.5	57.8	42.0	39.0	31.1	25.7	21.3	11.0
1.75V	266	266	266	186	162	139	87.0	79.3	57.1	41.7	38.5	30.8	25.4	21.1	10.8
1.80V	238	238	238	178	156	134	86.2	77.8	56.7	41.2	37.4	30.4	25.3	20.0	10.6
1.85V	212	212	212	163	144	125	83.5	73.9	53.4	40.1	35.6	29.6	24.3	19.4	10.4

Constant Power Discharge Characteristics Unit: W/cell (25°C ,77°F)

FV/Time	5min	10min	15min	30min	45min	1h	1.5h	2h	3h	4h	5h	6h	8h	10h	20h
1.60V	520	520	520	381	330	279	176	161	117	84.4	78.2	62.4	51.7	43.0	22.4
1.65V	512	512	512	374	325	277	175	160	115	83.7	77.6	61.9	51.2	42.7	22.1
1.70V	491	491	491	368	321	276	173	159	114	82.7	76.7	61.3	50.9	42.2	21.8
1.75V	452	452	452	365	318	272	171	156	113	82.1	75.9	60.8	50.4	41.8	21.4
1.80V	404	404	404	349	306	265	170	153	112	81.2	73.7	59.9	50.0	39.6	21.1
1.85V	363	363	363	320	283	248	165	146	106	79.3	70.4	58.6	48.3	38.7	20.8