

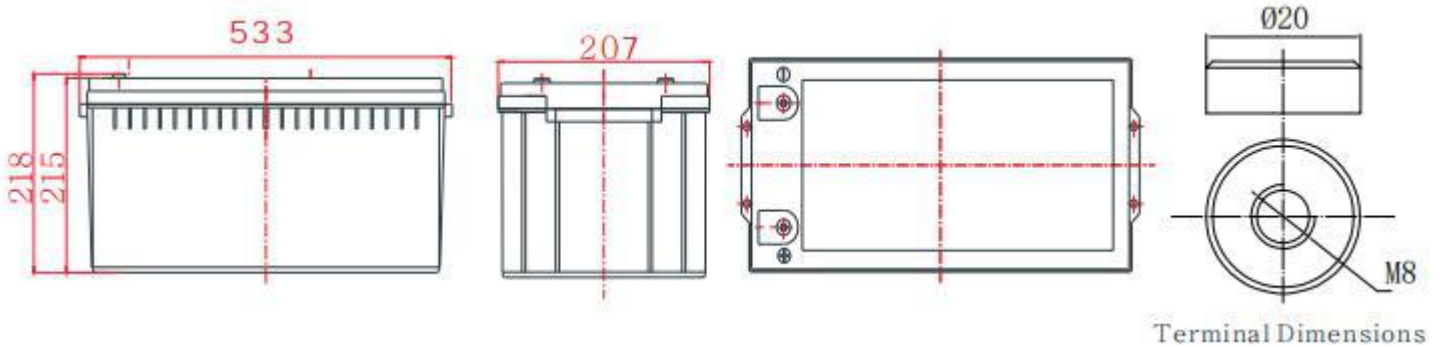
General Features

- ▶ High corrosion resistant performance: Pb-Ca multi-alloy grid
- ▶ High energy density and power density
- ▶ Optimized capability of instant high-current discharging
- ▶ Excellent charge acceptance ability
- ▶ Excellent deep cycle discharge capability
- ▶ Strong high and low temperature performance
- ▶ Precision sealing technology
- ▶ Long life



Dimension: 533(L) × 207(W) × 215(H) × 218(TH)

Unit: mm



Specification	
Nominal Voltage	12V
Nominal Capacity	190Ah
Design life	10 years
Terminal	M8
Approx. Weight	Approx 53.5kg (118lbs)
Container Material	ABS
short-circuit current	2400A
Internal resistance(Full charged at 25°C:)	5.0 mΩ
Self discharge	3% of capacity declined per month at 25°C
Operating Temperature	
Discharge:	-20 ~50°C(-4~ 122°F)
Charge :	-20 ~50°C(-4~ 122°F)
Storage:	-20 ~50°C(-4~ 122°F)
Charge Method(25 °C)	
Charge current:	Max. 47.5A; Recom. 19A
Float charge: 13.5-13.8V	recom. 13.8V(-18mV/ °C)
Equalize charge: 13.8-14.1V	recom. 14.1V(-24mV/ °C)
Cycle charge: 14.4-15.0V	recom. 14.7V(-30mV/ °C)

Standards

Executive standard YD/T 799-2010

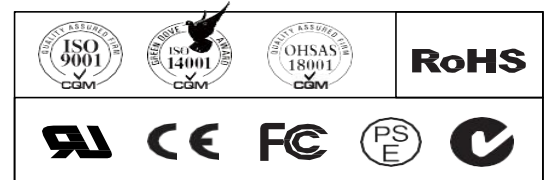
Applications

- ▶ UPS/EPS
- ▶ Power systems
- ▶ Telecommunications system
- ▶ Emergency lighting, Auto control system
- ▶ Solar/wind generating storage cyclic
- ▶ Other general purpose

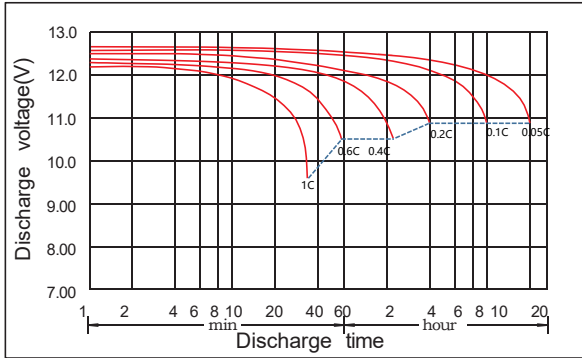
Rated Capacity

10Hour Rate (19.0A to 10.8V)	190.0Ah
3Hour Rate (52.0A to 10.2V)	156.0Ah
1Hour Rate (128A to 9.6V)	128.0Ah

Attain Certificate



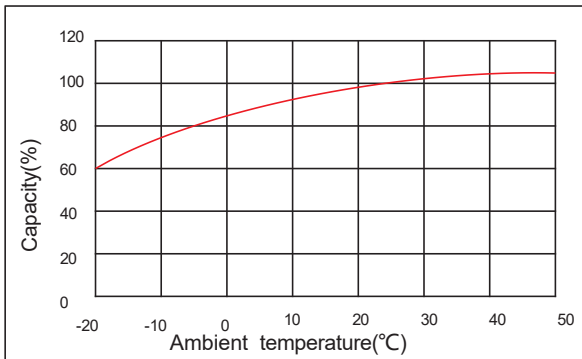
Discharge characteristic



Charging characteristic



The effect of temperature on capacity



The effect of temperature on float life



Constant Current Discharge Characteristics Unit:A (25°C,77°F)

FV/Time	5min	10min	15min	30min	45min	1h	1.5h	2h	3h	4h	5h	6h	8h	10h	20h
1.60V	306	306	250	175	151	128	80.6	73.3	53.3	38.5	35.7	28.5	23.5	19.8	10.2
1.65V	301	301	237	172	149	127	79.8	73.0	52.7	38.2	35.4	28.2	23.3	19.6	10.0
1.70V	289	289	235	169	147	126	79.0	72.4	52.0	37.8	35.0	28.0	23.1	19.4	9.88
1.75V	266	266	232	168	146	125	78.3	71.3	51.4	37.5	34.7	27.7	22.9	19.2	9.73
1.80V	238	238	212	160	141	121	77.5	70.0	51.0	37.1	33.7	27.4	22.7	19.0	9.58
1.85V	212	212	192	146	129	112	75.1	66.5	48.0	36.0	32.0	26.6	21.8	18.5	9.35

Constant Power Discharge Characteristics Unit: W/cell (25°C ,77°F)

FV/Time	5min	10min	15min	30min	45min	1h	1.5h	2h	3h	4h	5h	6h	8h	10h	20h
1.60V	520	520	450	343	296	251	159	145	105	75.9	70.4	56.1	46.5	39.1	20.2
1.65V	512	512	427	337	293	250	157	144	104	75.3	69.8	55.7	46.0	38.8	19.9
1.70V	491	491	423	331	289	248	156	143	102	74.4	69.0	55.1	45.7	38.4	19.6
1.75V	452	452	418	328	286	245	154	140	101	73.8	68.3	54.6	45.3	38.1	19.3
1.80V	404	404	382	314	275	238	153	138	100	73.1	66.3	53.9	45.0	37.6	19.0
1.85V	363	363	348	288	255	223	149	132	95.1	71.3	63.4	52.7	43.4	36.8	18.7