

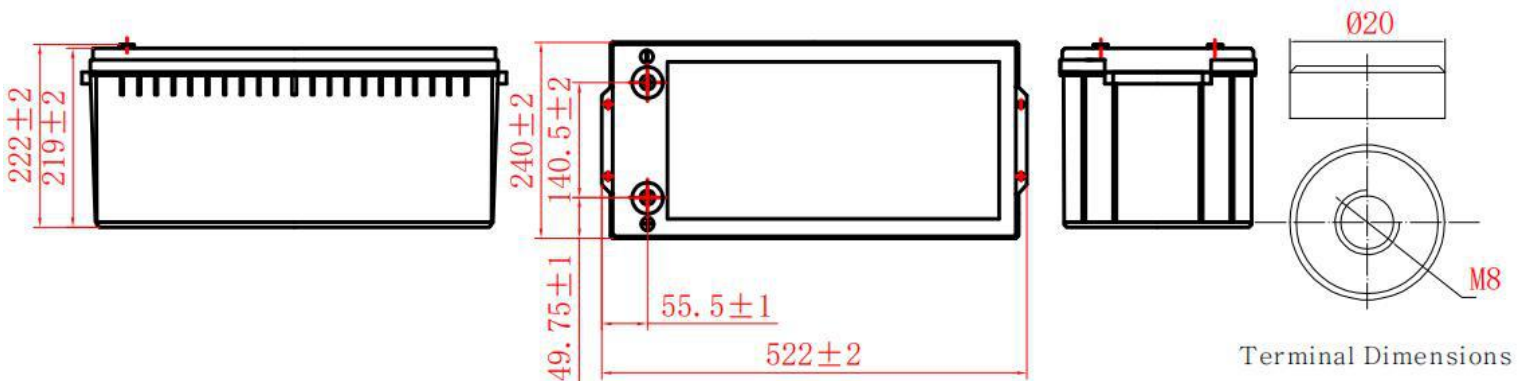
General Features

- ▶ High corrosion resistant performance: Pb-Ca multi-alloy grid
- ▶ High energy density and power density
- ▶ Optimized capability of instant high-current discharging
- ▶ Excellent charge acceptance ability
- ▶ Excellent deep cycle discharge capability
- ▶ Strong high and low temperature performance
- ▶ Precision sealing technology
- ▶ Long life



Dimension: 522(L) × 240(W) × 219(H) × 222(TH)

Unit: mm



Specification	
Nominal Voltage	12V
Nominal Capacity	180Ah
Design life	10 years
Terminal	M8
Approx. Weight	Approx 54.0kg (119lbs)
Container Material	ABS
short-circuit current	2181A
Internal resistance(Full charged at 25°C:)	5.5 mΩ
Self discharge	3% of capacity declined per month at 25°C
Operating Temperature	
Discharge:	-20 ~50°C(-4~ 122°F)
Charge :	-20 ~50°C(-4~ 122°F)
Storage:	-20 ~50°C(-4~ 122°F)
Charge Method(25 °C)	
Charge current:	Max. 45A;Recom.18A
Float charge:13.5-13.8V	recom.13.8V(-18mV/ °C)
Equalize charge:13.8-14.1V	recom.14.1V(-24mV/ °C)
Cycle charge:14.4-15.0V	recom.14.7V(-30mV/ °C)

Standards

Executive standard YD/T 799-2010

Applications

- ▶ UPS/EPS
- ▶ Power systems
- ▶ Telecommunications system
- ▶ Emergency lighting, Auto control system
- ▶ Solar/wind generating storage cyclic
- ▶ Other general purpose

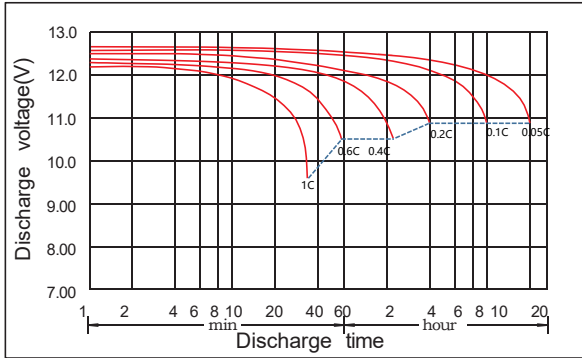
Rated Capacity

10Hour Rate (18.0A to 10.8V)	180.0Ah
3Hour Rate (49.2A to 10.2V)	147.6Ah
1Hour Rate (121A to 9.6V)	121.0Ah

Attain Certificate



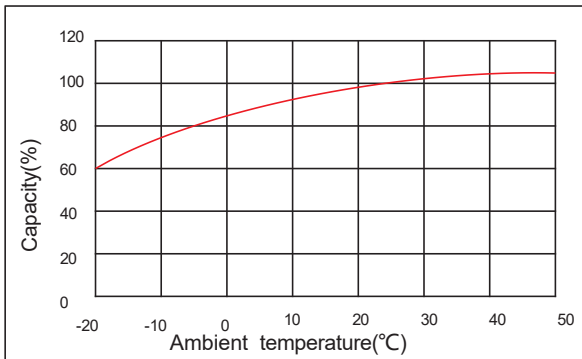
Discharge characteristic



Charging characteristic



The effect of temperature on capacity



The effect of temperature on float life



Constant Current Discharge Characteristics Unit:A (25°C,77°F)

FV/Time	5min	10min	15min	30min	45min	1h	1.5h	2h	3h	4h	5h	6h	8h	10h	20h
1.60V	306	269	236	166	143	121	76.3	69.5	50.5	36.5	33.8	27.0	22.2	18.7	9.65
1.65V	301	261	225	163	141	120	75.6	69.1	49.9	36.2	33.6	26.8	22.0	18.6	9.50
1.70V	289	259	222	160	140	119	74.9	68.6	49.2	35.8	33.2	26.5	21.9	18.4	9.36
1.75V	266	248	220	159	138	118	74.2	67.5	48.7	35.5	32.8	26.3	21.7	18.2	9.22
1.80V	238	231	201	152	133	114	73.4	66.3	48.3	35.1	31.9	25.9	21.5	18.0	9.07
1.85V	212	215	182	139	123	107	71.1	63.0	45.5	34.1	30.3	25.2	20.7	17.5	8.86

Constant Power Discharge Characteristics Unit: W/cell (25°C ,77°F)

FV/Time	5min	10min	15min	30min	45min	1h	1.5h	2h	3h	4h	5h	6h	8h	10h	20h
1.60V	520	484	461	325	281	238	150	137	99.4	71.9	66.7	53.2	44.1	37.1	19.1
1.65V	512	469	438	319	277	236	149	136	98.3	71.3	66.1	52.8	43.6	36.8	18.8
1.70V	491	466	433	313	274	235	148	135	97.0	70.5	65.4	52.2	43.3	36.4	18.5
1.75V	452	447	429	311	271	232	146	133	95.9	69.9	64.7	51.8	42.9	36.1	18.2
1.80V	404	416	392	298	261	226	145	131	95.2	69.2	62.8	51.1	42.6	35.6	18.0
1.85V	363	389	357	273	241	211	141	125	90.1	67.6	60.0	49.9	41.1	34.8	17.7