



JM Series lead-acid battery JM12-150

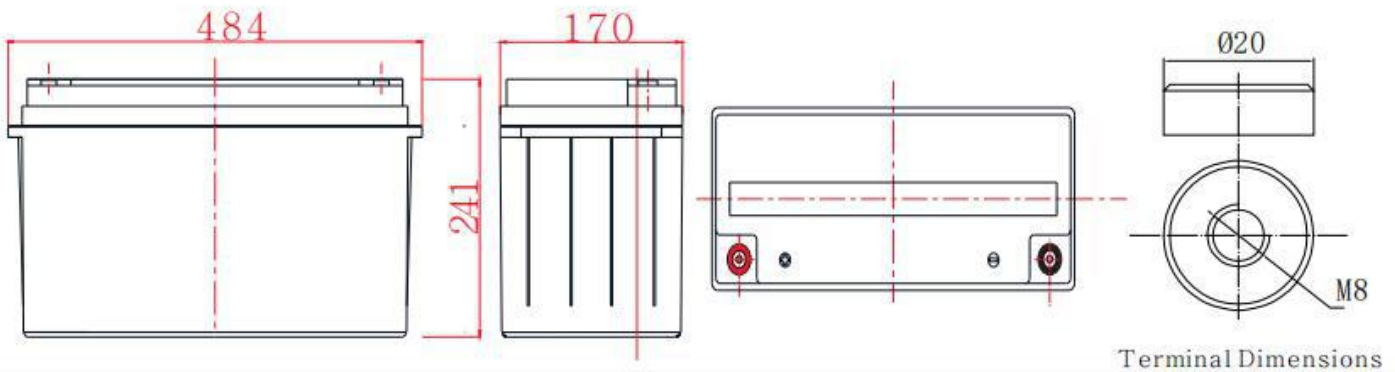
General Features

- ▶ High corrosion resistant performance: Pb-Ca multi-alloy grid
- ▶ High energy density and power density
- ▶ Optimized capability of instant high-current discharging
- ▶ Excellent charge acceptance ability
- ▶ Excellent deep cycle discharge capability
- ▶ Strong high and low temperature performance
- ▶ Precision sealing technology
- ▶ Long life



Dimension: 484(L) × 170(W) × 241(H) × 241(TH)

Unit: mm



Specification	
Nominal Voltage	12V
Nominal Capacity	150Ah
Design life	10 years
Terminal	M8
Approx. Weight	Approx 42.0kg (92.6lbs)
Container Material	ABS
short-circuit current	2400A
Internal resistance(Full charged at 25°C:)	5.0 mΩ
Self discharge	3% of capacity declined per month at 25°C
Operating Temperature	
Discharge:	-20 ~50°C(-4~ 122°F)
Charge :	-20 ~50°C(-4~ 122°F)
Storage:	-20 ~50°C(-4~ 122°F)
Charge Method(25 °C)	
Charge current:	Max. 37.5A;Recom.15A
Float charge:13.5-13.8V	recom.13.8V(-18mV/ °C)
Equalize charge:13.8-14.1V	recom.14.1V(-24mV/ °C)
Cycle charge:14.4-15.0V	recom.14.7V(-30mV/ °C)

Standards

Executive standard YD/T 799-2010

Applications

- ▶ UPS/EPS
- ▶ Power systems
- ▶ Telecommunications system
- ▶ Emergency lighting, Auto control system
- ▶ Solar/wind generating storage cyclic
- ▶ Other general purpose

Rated Capacity

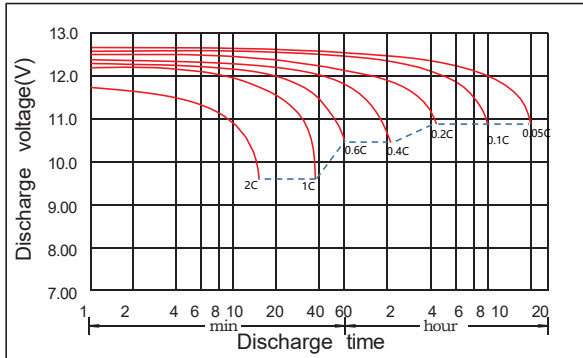
10Hour Rate (15.0A to 10.8V)	150.0Ah
3Hour Rate (40.4A to 10.2V)	121.2Ah
1Hour Rate (92.2A to 9.6V)	92.2Ah

Attain Certificate

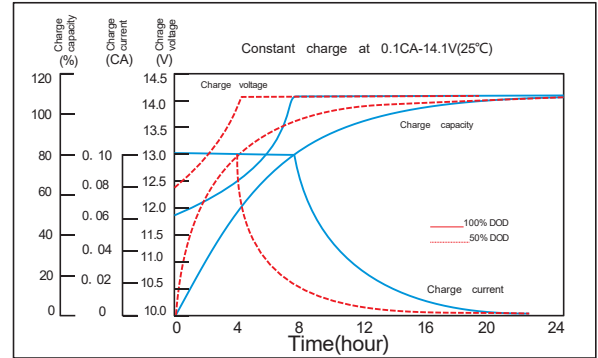


Disclaimer: Manufacturers have the right to self-modify the parameters of the product updates, please keep in touch with manufacturers to obtain the latest information.

Discharge characteristic



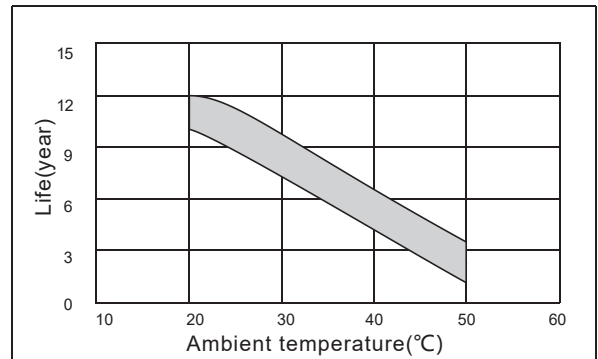
Charging characteristic



The effect of temperature on capacity



The effect of temperature on float life



Constant Current Discharge Characteristics Unit:A (25°C,77°F)

FV/Time	5min	10min	15min	30min	45min	1h	1.5h	2h	3h	4h	5h	6h	8h	10h	20h
1.60V	306	306	252	150	116	92.2	63.1	57.9	41.6	30.1	27.9	22.3	18.3	15.4	7.94
1.65V	301	301	240	147	115	91.8	62.3	57.1	41.2	29.8	27.7	22.1	18.2	15.3	7.83
1.70V	289	289	237	145	114	91.1	61.6	56.4	40.4	29.5	27.4	21.9	18.0	15.2	7.72
1.75V	266	266	234	144	113	90.0	61.2	55.7	40.1	29.3	27.1	21.7	17.9	15.1	7.61
1.80V	238	238	214	138	108	87.4	60.5	54.5	39.7	29.0	26.3	21.4	17.7	15.0	7.49
1.85V	212	212	194	125	100	81.2	58.6	51.9	37.5	28.1	25.0	20.8	17.0	14.6	7.31

Constant Power Discharge Characteristics Unit: W/cell (25°C ,77°F)

FV/Time	5min	10min	15min	30min	45min	1h	1.5h	2h	3h	4h	5h	6h	8h	10h	20h
1.60V	520	520	454	270	215	176	122	112	80.6	58.4	54.1	43.4	35.7	30.1	15.6
1.65V	512	512	431	265	213	175	121	111	79.6	57.8	53.7	43.0	35.4	29.9	15.3
1.70V	491	491	427	261	211	174	119	109	78.5	57.2	53.1	42.4	35.2	29.6	15.1
1.75V	452	452	422	259	208	172	118	108	77.7	56.7	52.5	42.0	34.9	29.4	14.9
1.80V	404	404	386	248	200	167	117	106	77.0	56.2	51.0	41.5	34.6	29.3	14.7
1.85V	363	363	351	227	185	156	114	101	73.1	54.8	48.8	40.5	33.4	28.6	14.4