

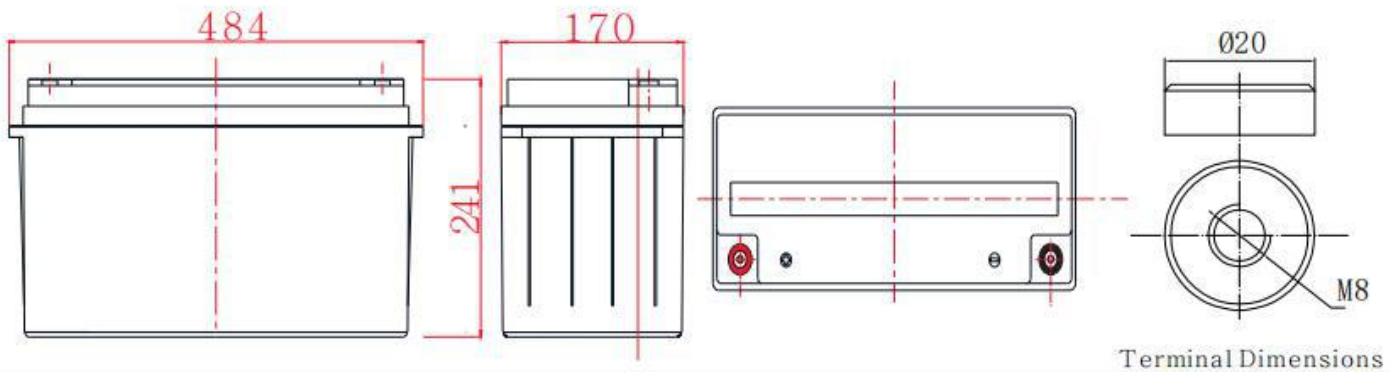
General Features

- ▶ High corrosion resistant performance: Pb-Ca multi-alloy grid
- ▶ High energy density and power density
- ▶ Optimized capability of instant high-current discharging
- ▶ Excellent charge acceptance ability
- ▶ Excellent deep cycle discharge capability
- ▶ Strong high and low temperature performance
- ▶ Precision sealing technology
- ▶ Long life



Dimension: 484(L) × 170(W) × 241(H) × 241(TH)

Unit: mm



Specification	
Nominal Voltage	12V
Nominal Capacity	150Ah
Design life	10 years
Terminal	M8
Approx. Weight	Approx. 47.0kg (104lbs)
Container Material	ABS
short-circuit current	2400A
Internal resistance (Full charged at 25°C:)	5.0 mΩ
Self discharge	3% of capacity declined per month at 25°C
Operating Temperature	
Discharge:	-20 ~50°C (-4 ~ 122°F)
Charge :	-20 ~50°C (-4 ~ 122°F)
Storage:	-20 ~50°C (-4 ~ 122°F)
Charge Method (25 °C)	
Charge current:	Max. 37.5A; Recom. 15A
Float charge:	13.5-13.8V recom. 13.8V (-18mV/ °C)
Equalize charge:	13.8-14.1V recom. 14.1V (-24mV/ °C)
Cycle charge:	14.4-15.0V recom. 14.7V (-30mV/ °C)

Standards

Executive standard YD/T 799-2010

Applications

- ▶ UPS/EPS
- ▶ Power systems
- ▶ Telecommunications system
- ▶ Emergency lighting, Auto control system
- ▶ Solar/wind generating storage cyclic
- ▶ Other general purpose

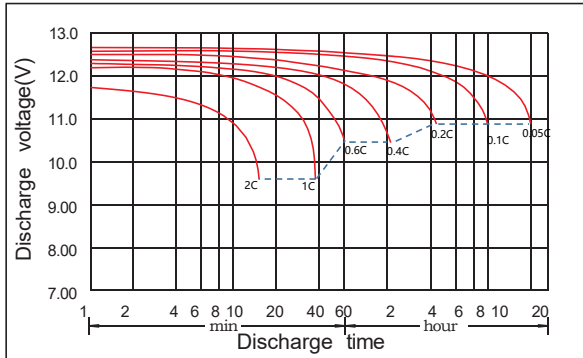
Rated Capacity

10Hour Rate (15.0A to 10.8V)	150.0Ah
3Hour Rate (40.9A to 10.2V)	122.9Ah
1Hour Rate (93.4A to 9.6V)	93.4Ah

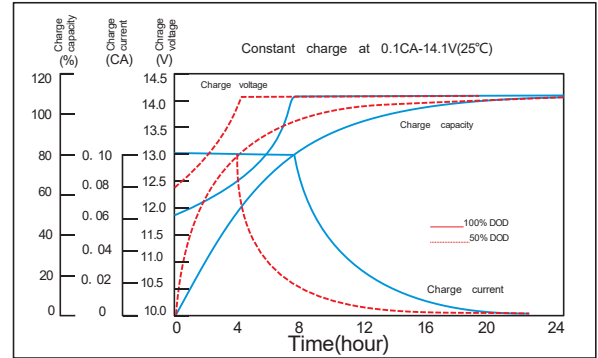
Attain Certificate



Discharge characteristic



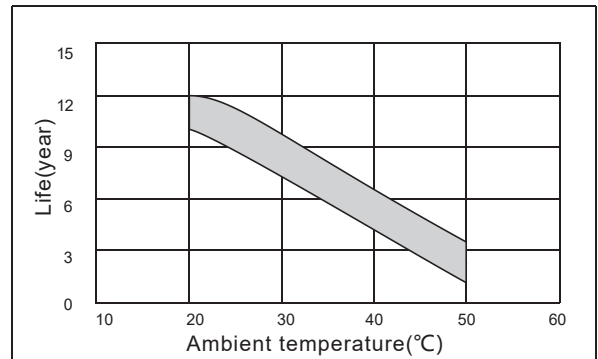
Charging characteristic



The effect of temperature on capacity



The effect of temperature on float life



Constant Current Discharge Characteristics Unit:A (25°C,77°F)

FV/Time	5min	10min	15min	30min	45min	1h	1.5h	2h	3h	4h	5h	6h	8h	10h	20h
1.60V	306	306	255	152	118	93.4	63.8	58.5	42.0	30.4	28.2	22.5	18.5	15.6	8.03
1.65V	301	301	242	149	116	92.8	63.0	57.8	41.6	30.1	28.0	22.3	18.4	15.5	7.91
1.70V	289	289	240	147	115	92.3	62.3	57.0	40.9	29.8	27.7	22.1	18.2	15.3	7.80
1.75V	266	266	237	146	114	91.2	61.9	56.3	40.5	29.6	27.4	21.9	18.1	15.2	7.69
1.80V	238	238	217	139	110	88.6	61.1	55.1	40.1	29.3	26.6	21.6	17.9	15.0	7.58
1.85V	212	212	196	127	101	82.3	59.3	52.5	37.9	28.4	25.3	21.0	17.2	14.6	7.39

Constant Power Discharge Characteristics Unit: W/cell (25°C ,77°F)

FV/Time	5min	10min	15min	30min	45min	1h	1.5h	2h	3h	4h	5h	6h	8h	10h	20h
1.60V	520	520	459	274	218	178	124	113	81.5	59.0	54.7	43.9	36.0	30.4	15.7
1.65V	512	512	436	269	215	177	122	112	80.8	58.4	54.3	43.5	35.8	30.2	15.5
1.70V	491	491	431	264	213	176	121	111	79.3	57.8	53.7	42.8	35.6	29.8	15.3
1.75V	452	452	427	262	211	174	120	109	78.6	57.3	53.0	42.5	35.3	29.6	15.1
1.80V	404	404	390	251	203	169	119	107	77.8	56.8	51.6	41.9	35.0	29.3	14.8
1.85V	363	363	355	230	188	158	116	102	73.9	55.4	49.3	41.0	33.7	28.6	14.6