

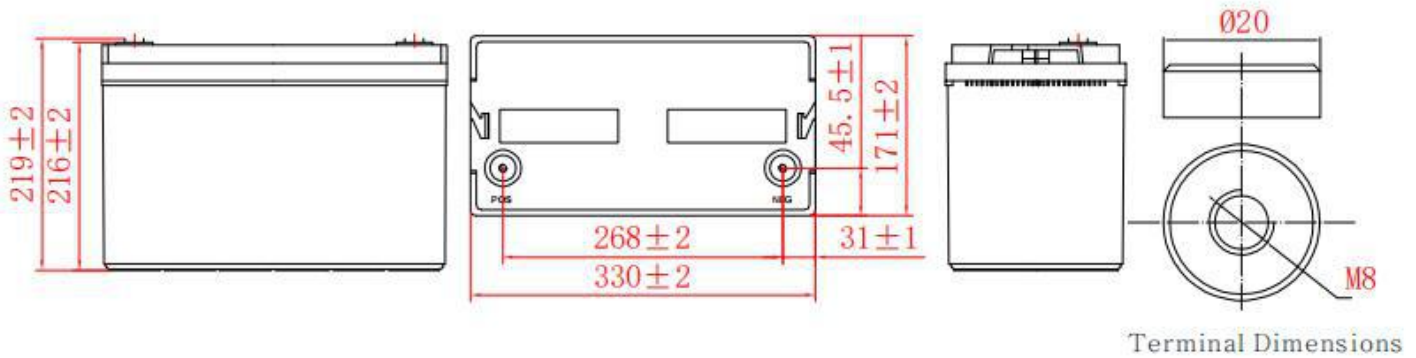
## General Features

- ▶ High corrosion resistant performance: Pb-Ca multi-alloy grid
- ▶ High energy density and power density
- ▶ Optimized capability of instant high-current discharging
- ▶ Excellent charge acceptance ability
- ▶ Excellent deep cycle discharge capability
- ▶ Strong high and low temperature performance
- ▶ Precision sealing technology
- ▶ Long life



**Dimension: 330(L) × 171(W) × 216(H) × 219(TH)**

**Unit: mm**



## Specification

Nominal Voltage	12V
Nominal Capacity	100Ah
Design life	10 years
Terminal	M8
Approx. Weight	Approx 32.0kg (70.5lbs)
Container Material	ABS
short-circuit current	2400A
Internal resistance(Full charged at 25°C: )	5.0 mΩ
Self discharge	3% of capacity declined per month at 25°C

## Operating Temperature

Discharge:	-20 ~50°C(-4~ 122°F)
Charge :	-20 ~50°C(-4~ 122°F)
Storage:	-20 ~50°C(-4~ 122°F)

## Charge Method(25 °C)

Charge current:	Max. 27.5A; Recom. 11A
Float charge: 13.5-13.8V	recom. 13.8V(-18mV/ °C)
Equalize charge: 13.8-14.1V	recom. 14.1V(-24mV/ °C)
Cycle charge: 14.4-15.0V	recom. 14.7V(-30mV/ °C)

## Standards

Executive standard YD/T 799-2010

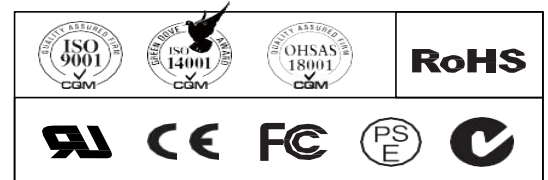
## Applications

- ▶ UPS/EPS
- ▶ Power systems
- ▶ Telecommunications system
- ▶ Emergency lighting, Auto control system
- ▶ Solar/wind generating storage cyclic
- ▶ Other general purpose

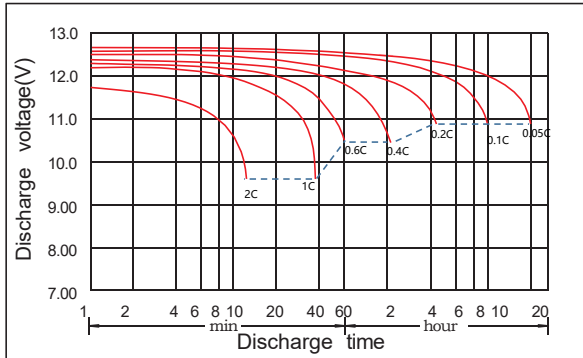
## Rated Capacity

20Hour Rate (5.50A to 10.5V)	110.0Ah
3Hour Rate (27.9A to 10.2V)	83.7Ah
1Hour Rate (68.8A to 9.6V)	68.8Ah

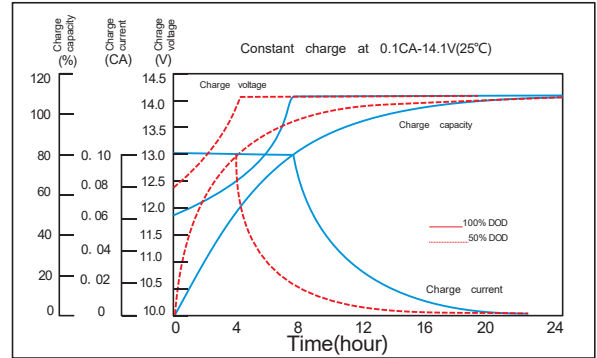
## Attain Certificate



## Discharge characteristic



## Charging characteristic



## The effect of temperature on capacity



## The effect of temperature on float life



### Constant Current Discharge Characteristics Unit:A (25°C,77°F)

FV/Time	5min	10min	15min	30min	45min	1h	1.5h	2h	3h	4h	5h	6h	8h	10h	20h
1.60V	306	239	193	118	84.4	68.8	43.2	39.5	28.6	20.8	19.2	15.3	12.7	10.6	5.58
1.65V	301	238	188	116	83.9	68.4	42.8	39.3	28.3	20.5	19.0	15.1	12.6	10.5	5.55
1.70V	289	236	184	113	83.3	67.9	42.4	38.9	27.9	20.3	18.8	15.0	12.5	10.4	5.52
1.75V	266	233	178	112	82.1	67.0	42.0	38.3	27.6	20.1	18.6	14.9	12.4	10.3	5.50
1.80V	238	227	166	107	80.0	65.2	41.6	37.6	27.5	19.9	18.1	14.7	12.3	10.2	5.47
1.85V	212	211	147	98.3	74.1	60.4	40.3	35.8	25.9	19.3	17.3	14.3	11.8	9.92	5.38

### Constant Power Discharge Characteristics Unit: W/cell (25°C ,77°F )

FV/Time	5min	10min	15min	30min	45min	1h	1.5h	2h	3h	4h	5h	6h	8h	10h	20h
1.60V	520	405	340	213	155	130	86.3	74.6	54.5	40.9	36.5	30.0	24.5	20.4	11.0
1.65V	512	402	335	211	154	129	85.5	74.4	53.8	40.5	36.3	29.6	24.3	20.3	11.0
1.70V	491	399	331	211	153	128	84.5	74.1	53.5	40.1	36.0	29.3	24.2	20.0	10.9
1.75V	452	396	329	210	152	127	83.7	73.7	53.2	39.7	35.8	29.1	24.0	19.8	10.9
1.80V	404	393	311	205	151	126	82.8	73.5	53.0	39.3	35.4	28.8	23.8	19.6	10.8
1.85V	363	367	278	188	141	118	81.6	70.2	50.4	38.6	33.7	28.3	23.0	19.3	10.7