

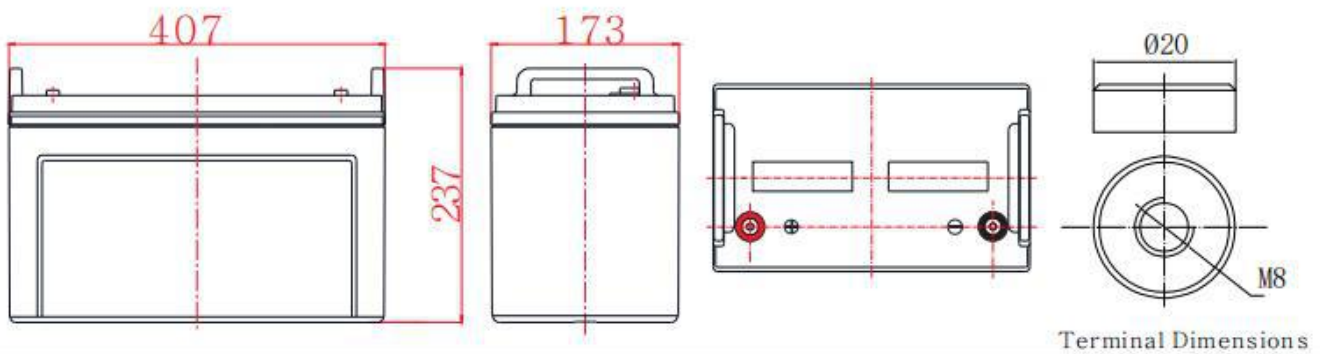
General Features

- ▶ High corrosion resistant performance: Pb-Ca multi-alloy grid
- ▶ High energy density and power density
- ▶ Optimized capability of instant high-current discharging
- ▶ Excellent charge acceptance ability
- ▶ Excellent deep cycle discharge capability
- ▶ Strong high and low temperature performance
- ▶ Precision sealing technology
- ▶ Long life



Dimension: 407(L) × 173(W) × 237(H) × 237(TH)

Unit: mm



Specification	
Nominal Voltage	12V
Nominal Capacity	100Ah
Design life	10 years
Terminal	M8
Approx. Weight	Approx 32.5kg (71.7lbs)
Container Material	ABS
short-circuit current	2307A
Internal resistance(Full charged at 25°C:)	5.2 mΩ
Self discharge	3% of capacity declined per month at 25°C
Operating Temperature	
Discharge:	-20 ~50°C(-4~ 122°F)
Charge :	-20 ~50°C(-4~ 122°F)
Storage:	-20 ~50°C(-4~ 122°F)
Charge Method(25 °C)	
Charge current:	Max. 25A; Recom. 10A
Float charge: 13.5-13.8V	recom. 13.8V(-18mV/ °C)
Equalize charge: 13.8-14.1V	recom. 14.1V(-24mV/ °C)
Cycle charge: 14.4-15.0V	recom. 14.7V(-30mV/ °C)

Standards

Executive standard YD/T 799-2010

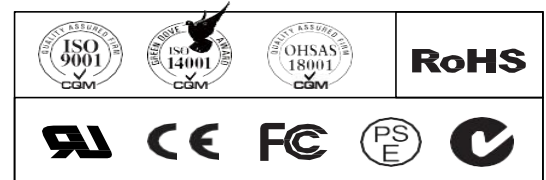
Applications

- ▶ UPS/EPS
- ▶ Power systems
- ▶ Telecommunications system
- ▶ Emergency lighting, Auto control system
- ▶ Solar/wind generating storage cyclic
- ▶ Other general purpose

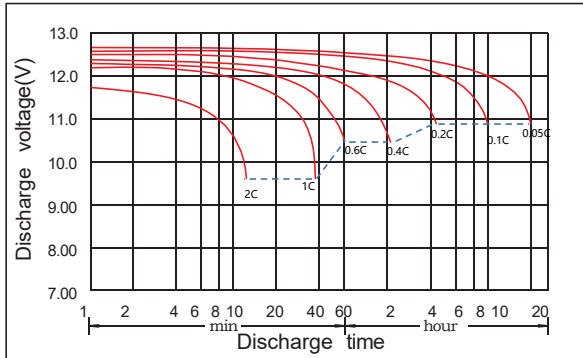
Rated Capacity

10Hour Rate (10.0A to 10.8V)	100.0Ah
3Hour Rate (27.5A to 10.2V)	82.5Ah
1Hour Rate (67.7A to 9.6V)	67.7Ah

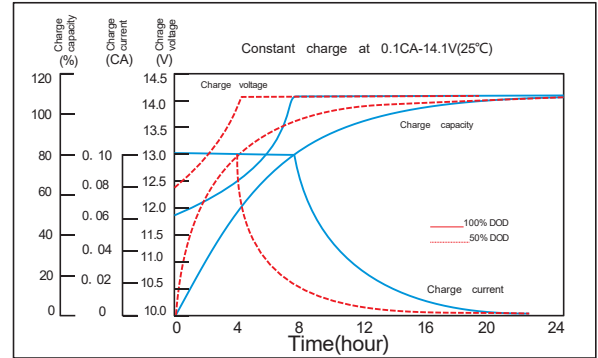
Attain Certificate



Discharge characteristic



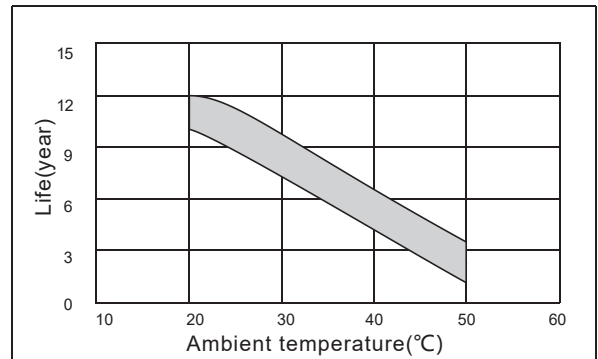
Charging characteristic



The effect of temperature on capacity



The effect of temperature on float life



Constant Current Discharge Characteristics Unit:A (25°C,77°F)

FV/Time	5min	10min	15min	30min	45min	1h	1.5h	2h	3h	4h	5h	6h	8h	10h	20h
1.60V	292	237	181	117	83.0	67.7	42.7	38.8	28.2	20.5	18.9	15.1	12.4	10.5	5.49
1.65V	284	230	176	115	82.6	67.3	42.3	38.6	27.9	20.3	18.7	15.0	12.3	10.4	5.46
1.70V	272	222	173	113	81.9	66.8	41.9	38.3	27.5	20.1	18.5	14.8	12.2	10.3	5.43
1.75V	250	209	167	112	80.7	65.8	41.5	37.7	27.2	19.9	18.3	14.7	12.1	10.2	5.41
1.80V	224	190	155	107	78.6	64.1	40.7	37.0	27.0	19.5	17.8	14.4	12.0	10.0	5.38
1.85V	200	169	138	97.9	72.9	59.4	39.7	35.2	25.4	19.0	16.9	14.1	11.5	9.75	5.29

Constant Power Discharge Characteristics Unit: W/cell (25°C ,77°F)

FV/Time	5min	10min	15min	30min	45min	1h	1.5h	2h	3h	4h	5h	6h	8h	10h	20h
1.60V	490	401	320	212	154	128	84.8	73.4	53.6	40.2	35.9	29.5	24.1	20.1	10.9
1.65V	471	388	315	210	152	127	84.0	73.2	52.9	39.8	35.7	29.2	23.9	19.9	10.9
1.70V	468	376	310	210	151	126	83.1	72.9	52.6	39.4	35.4	28.9	23.8	19.7	10.8
1.75V	437	355	308	209	150	125	82.3	72.5	52.3	39.0	35.2	28.6	23.6	19.5	10.8
1.80V	402	328	291	205	149	124	81.4	72.3	52.1	38.6	34.8	28.3	23.4	19.3	10.7
1.85V	358	295	261	187	138	115	80.2	69.0	49.5	38.0	33.2	27.9	22.6	19.0	10.6