

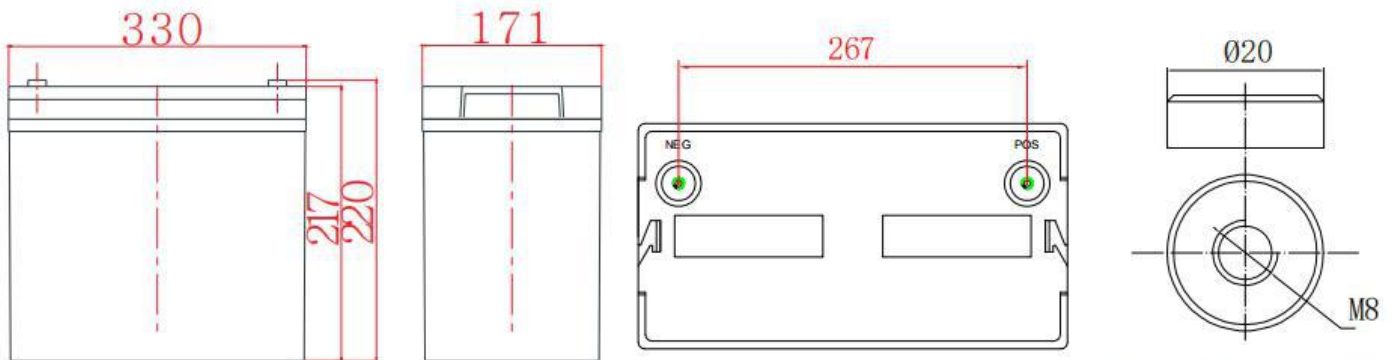
## General Features

- ▶ High corrosion resistant performance: Pb-Ca multi-alloy grid
- ▶ High energy density and power density
- ▶ Optimized capability of instant high-current discharging
- ▶ Excellent charge acceptance ability
- ▶ Excellent deep cycle discharge capability
- ▶ Strong high and low temperature performance
- ▶ Precision sealing technology
- ▶ Long life



**Dimension: 330(L) × 171(W) × 217(H) × 220(TH)**

**Unit: mm**



Terminal Dimensions

Specification	
Nominal Voltage	12V
Nominal Capacity	100Ah
Design life	10 years
Terminal	M8
Approx. Weight	Approx. 30.0kg (66.1lbs)
Container Material	ABS
short-circuit current	3000A
Internal resistance (Full charged at 25°C: )	4.0 mΩ
Self discharge	3% of capacity declined per month at 25°C
Operating Temperature	
Discharge:	-20 ~50°C (-4 ~ 122°F)
Charge :	-20 ~50°C (-4 ~ 122°F)
Storage:	-20 ~50°C (-4 ~ 122°F)
Charge Method (25 °C)	
Charge current:	Max. 25A; Recom. 10A
Float charge: 13.5-13.8V	recom. 13.8V (-18mV/ °C)
Equalize charge: 13.8-14.1V	recom. 14.1V (-24mV/ °C)
Cycle charge: 14.4-15.0V	recom. 14.7V (-30mV/ °C)

## Standards

Executive standard YD/T 799-2010

## Applications

- ▶ UPS/EPS
- ▶ Power systems
- ▶ Telecommunications system
- ▶ Emergency lighting, Auto control system
- ▶ Solar/wind generating storage cyclic
- ▶ Other general purpose

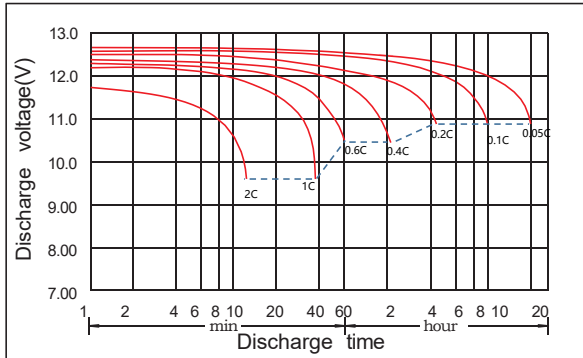
## Rated Capacity

10Hour Rate (10.0A to 10.8V)	100Ah
3Hour Rate (27.5A to 10.2V)	82.5Ah
1Hour Rate (67.4A to 9.6V)	67.4Ah

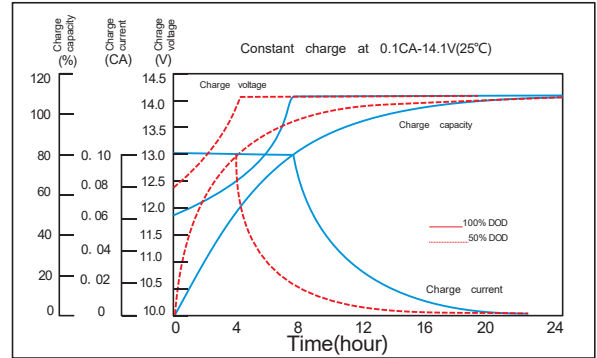
## Attain Certificate



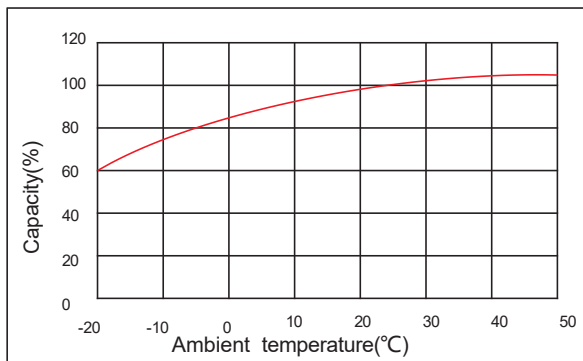
## Discharge characteristic



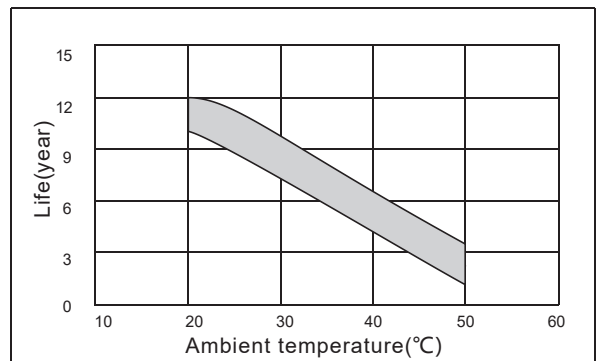
## Charging characteristic



## The effect of temperature on capacity



## The effect of temperature on float life



## Constant Current Discharge Characteristics Unit:A (25°C,77°F)

FV/Time	5min	10min	15min	30min	45min	1h	1.5h	2h	3h	4h	5h	6h	8h	10h	20h
1.60V	289	234	180	116	83.3	67.4	42.7	38.8	28.2	20.5	18.9	15.1	12.4	10.5	5.49
1.65V	281	228	175	114	82.6	67.0	42.3	38.6	27.9	20.3	18.7	15.0	12.3	10.4	5.46
1.70V	269	220	171	112	81.9	66.5	41.9	38.3	27.5	20.1	18.5	14.8	12.2	10.3	5.43
1.75V	248	207	165	111	80.7	65.5	41.5	37.7	27.2	19.9	18.3	14.7	12.1	10.2	5.41
1.80V	222	188	154	106	78.6	63.8	40.7	37.0	27.0	19.5	17.8	14.4	12.0	10.0	5.38
1.85V	198	168	137	97.0	72.9	59.1	39.7	35.2	25.4	19.0	16.9	14.1	11.5	9.75	5.29

## Constant Power Discharge Characteristics Unit: W/cell (25°C ,77°F )

FV/Time	5min	10min	15min	30min	45min	1h	1.5h	2h	3h	4h	5h	6h	8h	10h	20h
1.60V	485	397	317	210	154	127	84.8	73.4	53.6	40.2	35.9	29.5	24.1	20.1	10.9
1.65V	467	385	312	208	152	126	84.0	73.2	52.9	39.8	35.7	29.2	23.9	19.9	10.8
1.70V	464	372	307	208	151	125	83.1	72.9	52.6	39.4	35.4	28.9	23.8	19.7	10.8
1.75V	433	351	306	207	150	124	82.3	72.5	52.3	39.0	35.2	28.6	23.6	19.5	10.7
1.80V	398	325	289	203	149	123	81.4	72.3	52.1	38.6	34.8	28.3	23.4	19.3	10.7
1.85V	355	292	259	185	138	114	80.2	69.0	49.5	38.0	33.2	27.9	22.6	19.0	10.6