



JL Series lead-acid battery JL2-500



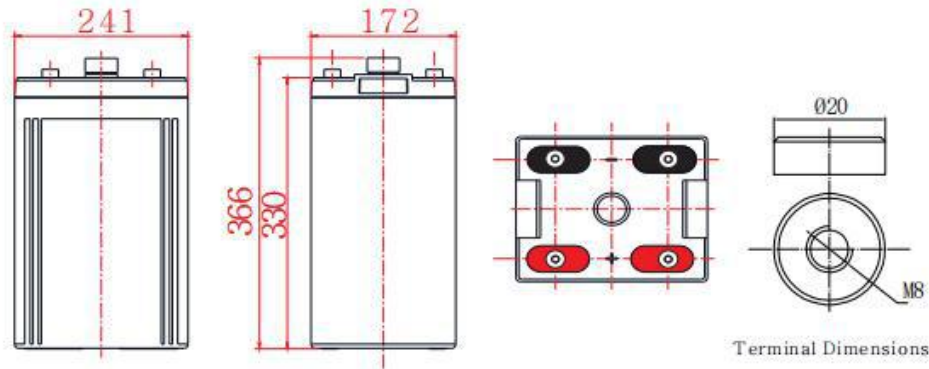
General Features

- ▶ High corrosion resistant performance: Pb-Ca multi-alloy grid
- ▶ Excellent charge acceptance ability
- ▶ Excellent deep cycle discharge capability
- ▶ Strong high and low temperature performance
- ▶ Precision sealing technology
- ▶ Long life



Dimension: 241(L) × 172(W) × 330(H) × 366(TH)

Unit: mm



Specification	
Nominal Voltage	2V
Nominal Capacity	500Ah
Design life	15 years
Terminal	M8
Approx. Weight	Approx 29.5kg (65.1lbs)
Container Material	ABS
short-circuit current	2857A
Internal resistance(Full charged at 25°C:)	0.70 mΩ
Self discharge	3% of capacity declined per month at 25°C
Operating Temperature	
Discharge:	-20 ~50°C(-4~ 122°F)
Charge :	-20 ~50°C(-4~ 122°F)
Storage:	-20 ~50°C(-4~ 122°F)
Charge Method(25 °C)	
Charge current:	Max. 100.0A; Recom. 50.0A
Float charge:	2.23-2.27V recom. 2.25V(-3mV/ °C)
Equalize charge:	2.30-2.35V recom. 2.35V(-4mV/ °C)
Cycle charge:	2.40-2.50V recom. 2.40V(-5mV/ °C)

Standards

Executive standard YD/T 799-2010

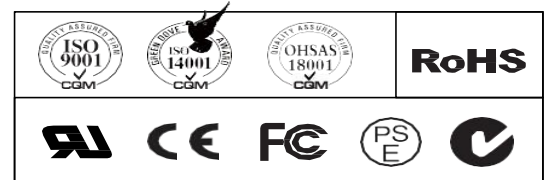
Applications

- ▶ UPS/EPS
- ▶ Power systems
- ▶ Telecommunications system
- ▶ Auto control system
- ▶ Solar/wind generating storage cyclic
- ▶ Other general purpose

Rated Capacity

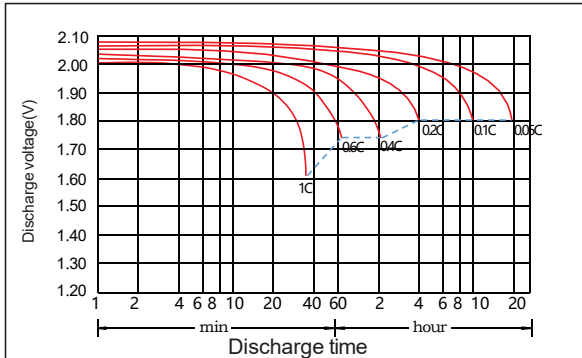
10Hour Rate (50.0A to 1.80V)	500.0Ah
3Hour Rate (125.0A to 1.80V)	375.0Ah
1Hour Rate (275A to 1.75V)	275.0Ah

Attain Certificate

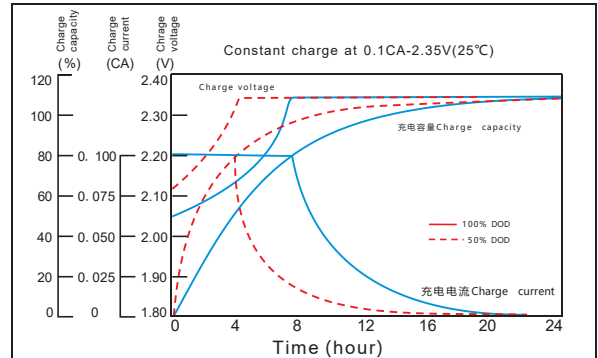


Disclaimer: Manufacturers have the right to self-modify the parameters of the product updates, please keep in touch with manufacturers to obtain the latest information.

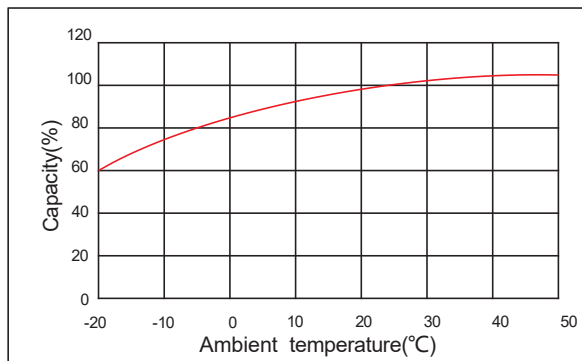
Discharge characteristic



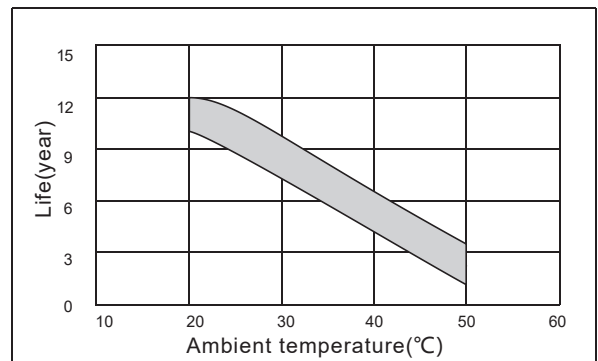
Charging characteristic



The effect of temperature on capacity



The effect of temperature on float life



Constant Current Discharge Characteristics Unit:A (25°C,77°F)

FV/Time	5min	10min	15min	30min	45min	1h	1.5h	2h	3h	4h	5h	6h	8h	10h	20h
1.60V	883	750	625	408	348	288	222	197	141	106	97.0	78.2	65.8	54.2	27.8
1.65V	815	695	583	384	333	283	218	192	137	105	94.7	77.3	64.8	53.7	27.5
1.70V	754	643	540	360	318	278	215	185	133	103	93.8	76.2	63.8	52.8	27.1
1.75V	671	578	494	335	305	275	212	178	129	101	91.2	75.0	63.2	52.0	26.7
1.80V	577	512	461	314	292	269	205	168	125	97.5	89.0	72.2	61.8	50.0	25.7
1.85V	505	449	405	279	260	242	202	157	119	96.5	86.0	71.3	60.2	49.5	25.1

Constant Power Discharge Characteristics Unit: W/cell (25°C,77°F)

FV/Time	5min	10min	15min	30min	45min	1h	1.5h	2h	3h	4h	5h	6h	8h	10h	20h
1.60V	1483	1270	1102	747	643	541	416	369	264	202	184	149	126	105	54.5
1.65V	1355	1174	1040	702	617	533	410	360	258	199	182	148	124	104	53.8
1.70V	1297	1086	969	658	590	522	404	348	250	195	178	145	123	103	53.2
1.75V	1170	982	905	614	565	517	397	336	243	192	173	143	121	101	52.5
1.80V	1035	885	853	577	540	505	385	316	235	187	169	138	119	97.2	50.6
1.85V	904	783	757	516	487	458	380	295	223	182	163	136	116	96.5	50.1