

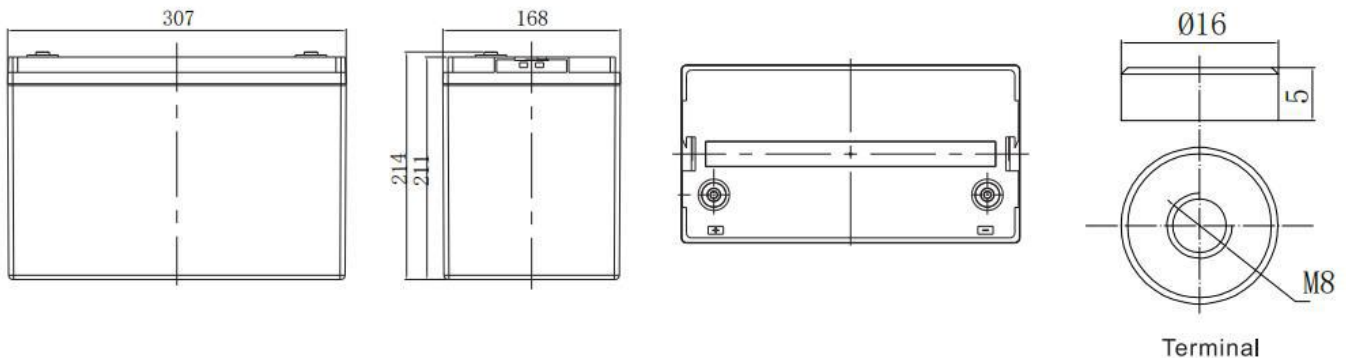
General Features

- ▶ High corrosion resistant performance: Pb-Ca multi-alloy grid
- ▶ High energy density and power density
- ▶ Optimized capability of instant high-current discharging
- ▶ Excellent charge acceptance ability
- ▶ Excellent deep cycle discharge capability
- ▶ Strong high and low temperature performance
- ▶ Precision sealing technology
- ▶ Long life



Dimension: 307(L) × 168(W) × 211(H) × 214(TH)

Unit: mm



Specification	
Nominal Voltage	12V
Nominal Capacity	95Ah(390W@15min-rate to 1.67V percell@25°C)
Design life	10 years
Terminal	M8
Approx. Weight	Approx 31.0kg (68.3lbs)
Container Material	ABS(UL94-HB, UL94-V0 Optional)
short-circuit current	2666A
Internal resistance(Full charged at 25°C:)	4.5 mΩ
Self discharge	3% of capacity declined per month at 25°C
Operating Temperature	
Discharge:	-20 ~50°C(-4~ 122°F)
Charge :	-20 ~50°C(-4~ 122°F)
Storage:	-20 ~50°C(-4~ 122°F)
Charge Method(25 °C)	
Charge current:	Max. 23.75A;Recom.9.5A
Float charge:13.5-13.8V	recom.13.8V(-18mV/ °C)
Equalize charge:13.8-14.1V	recom.14.1V(-24mV/ °C)
Cycle charge:14.4-15.0V	recom.14.7V(-30mV/ °C)

Standards

Executive standard YD/T 3427-2018

Applications

- ▶ UPS/EPS
- ▶ Power systems
- ▶ Telecommunications system
- ▶ Emergency lighting, Auto control system
- ▶ Solar/wind generating storage cyclic
- ▶ Other general purpose

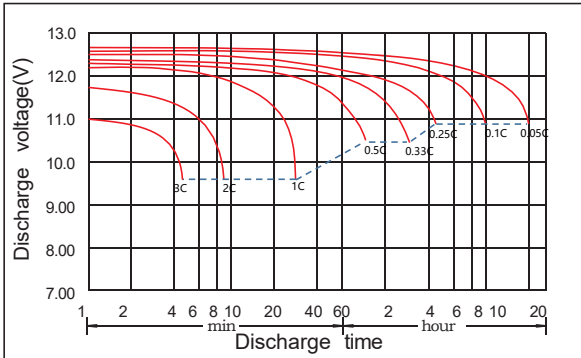
Rated Capacity

10Hour Rate (9.50A to 10.8V)	95.0Ah
3Hour Rate (26.0A to 10.2V)	78.0Ah
1Hour Rate (68.2A to 9.6V)	68.2Ah

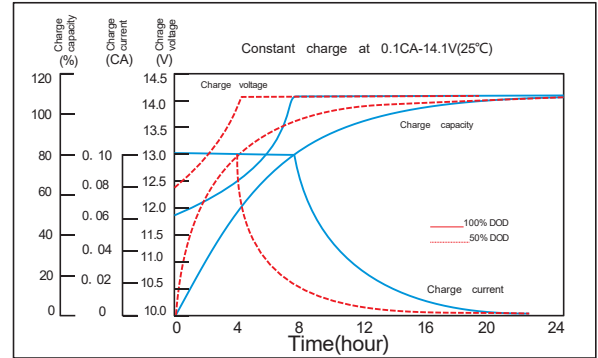
Attain Certificate



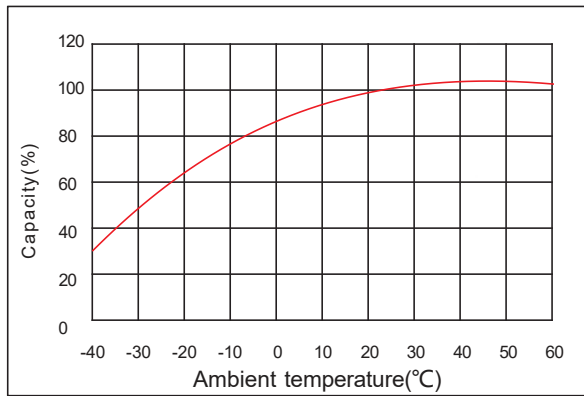
Discharge characteristic



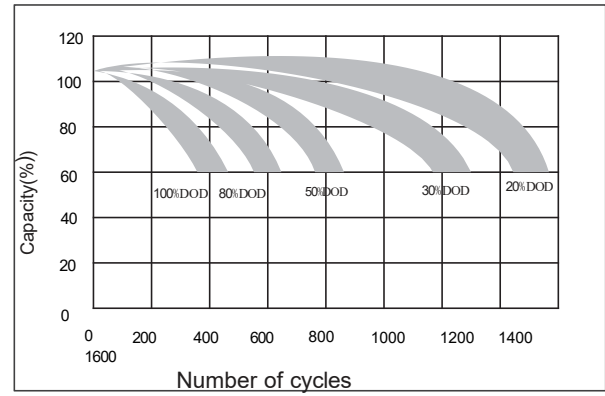
Charging characteristic



The effect of temperature on capacity



The effect of discharge depth on cycle life



Constant Current Discharge Characteristics Unit:A (25°C,77°F)

FV/Time	5min	10min	15min	30min	45min	1h	1.5h	2h	3h	4h	5h	6h	8h	10h	20h
1.60V	409	319	211	127	76.6	68.2	48.9	36.7	26.6	19.3	17.8	14.5	11.7	9.90	5.18
1.67V	359	281	200	120	75.8	65.0	46.7	36.5	26.4	19.1	17.7	14.4	11.6	9.80	5.16
1.70V	335	265	198	117	75.0	63.7	45.7	36.2	26.0	18.9	17.5	14.2	11.5	9.70	5.13
1.75V	300	240	196	113	74.2	61.5	44.2	35.7	25.6	18.7	17.3	14.1	11.4	9.60	5.11
1.80V	267	217	179	108	73.5	59.3	42.6	35.0	25.5	18.5	16.9	13.9	11.4	9.50	5.09
1.85V	235	195	162	95.0	71.1	53.6	38.5	33.2	24.1	17.9	16.0	13.5	10.9	9.20	4.99

Constant Power Discharge Characteristics Unit: W/cell (25°C ,77°F)

FV/Time	5min	10min	15min	30min	45min	1h	1.5h	2h	3h	4h	5h	6h	8h	10h	20h
1.60V	655	510	411	249	150	134	96.3	72.3	52.4	38.0	35.1	28.6	23.2	19.6	10.4
1.67V	600	470	390	235	149	128	92.0	71.9	52.0	37.6	34.9	28.4	23.0	19.4	10.3
1.70V	570	450	386	229	147	125	90.0	71.3	51.2	37.2	34.5	28.0	22.8	19.2	10.2
1.75V	525	420	382	221	145	121	87.1	70.3	50.4	36.8	34.1	27.8	22.6	19.0	10.1
1.80V	480	390	349	212	144	117	83.9	69.0	50.2	36.4	33.3	27.4	22.4	18.8	10.0
1.85V	435	360	318	188	140	106	76.2	65.7	47.7	35.4	31.7	26.7	21.7	18.3	9.90