

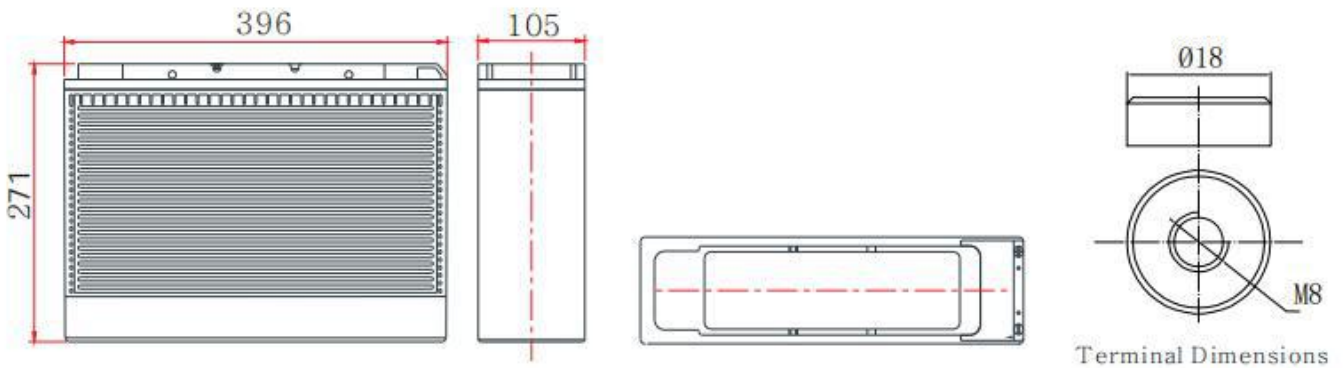
## General Features

- ▶ Narrow structure and front terminal design, suitable for 19-inch and 23-inch standard cabinets
- ▶ High corrosion resistant performance: Pb-Ca multi-alloy grid
- ▶ Excellent charge acceptance ability
- ▶ Excellent deep cycle discharge capability
- ▶ Strong high and low temperature performance
- ▶ Precision sealing technology
- ▶ Long life



**Dimension: 396(L) × 105(W) × 271(H) × 271(TH)**

**Unit: mm**



Specification	
Nominal Voltage	12V
Nominal Capacity	95Ah
Design life	12 years
Terminal	M8
Approx. Weight	Approx 28.5kg (62.8lbs)
Container Material	ABS
short-circuit current	2181A
Internal resistance(Full charged at 25°C: )	5.5 mΩ
Self discharge	3% of capacity declined per month at 25°C
Operating Temperature	
Discharge:	-20 ~50°C(-4~ 122°F)
Charge :	-20 ~50°C(-4~ 122°F)
Storage:	-20 ~50°C(-4~ 122°F)
Charge Method(25 °C)	
Charge current:	Max. 23.75A; Recom. 9.5A
Float charge: 13.5-13.8V	recom. 13.8V(-18mV/ °C)
Equalize charge: 13.8-14.1V	recom. 14.1V(-24mV/ °C)
Cycle charge: 14.4-15.0V	recom. 14.7V(-30mV/ °C)

## Standards

Executive standard YD/T 799-2010

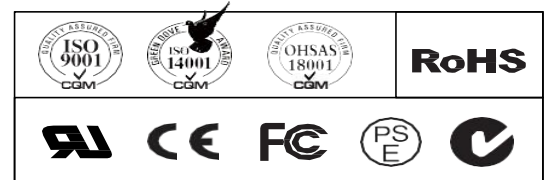
## Applications

- ▶ UPS/EPS
- ▶ Power systems
- ▶ Telecom outdoor integration site
- ▶ Emergency lighting, Auto control system
- ▶ Solar/wind generating storage cyclic
- ▶ Other general purpose

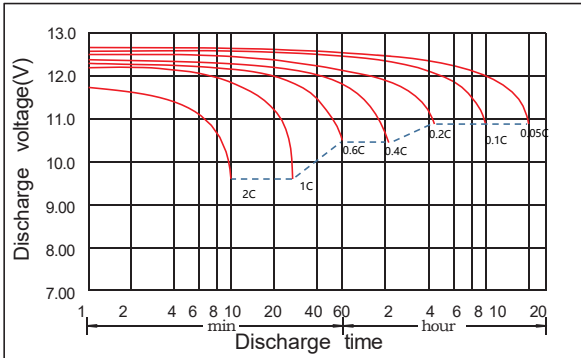
## Rated Capacity

10Hour Rate (9.50A to 10.8V)	95.0Ah
3Hour Rate (24.8A to 10.2V)	74.4Ah
1Hour Rate (64.0A to 9.6V)	64.0Ah

## Attain Certificate



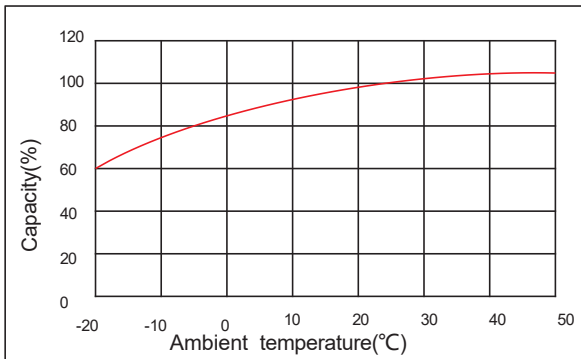
## Discharge characteristic



## Charging characteristic



## The effect of temperature on capacity



## The effect of temperature on float life



### Constant Current Discharge Characteristics Unit:A (25°C,77°F)

FV/Time	5min	10min	15min	30min	45min	1h	1.5h	2h	3h	4h	5h	6h	8h	10h	20h
1.60V	336	223	182	110	78.8	64.0	40.2	36.8	25.5	19.4	18.0	14.3	11.7	9.90	5.19
1.65V	325	222	177	108	77.8	62.9	39.8	36.6	25.2	19.1	17.8	14.2	11.6	9.80	5.08
1.70V	313	219	174	106	76.7	619	39.6	36.3	24.8	19.0	17.6	14.1	11.5	9.70	4.97
1.75V	288	217	168	105	75.6	60.8	39.1	35.8	24.6	18.8	17.3	13.9	11.4	9.60	4.87
1.80V	258	211	156	100	74.6	59.8	38.7	35.1	24.4	18.6	16.9	13.8	11.3	9.50	4.76
1.85V	231	196	139	92.1	68.8	56.1	37.7	33.3	23.0	18.1	16.1	13.3	10.9	9.20	4.64

### Constant Power Discharge Characteristics Unit: W/cell (25°C ,77°F )

FV/Time	5min	10min	15min	30min	45min	1h	1.5h	2h	3h	4h	5h	6h	8h	10h	20h
1.60V	564	376	320	199	146	123	78.4	71.3	48.4	37.2	34.0	27.7	22.8	19.0	10.1
1.65V	541	374	315	198	145	121	77.5	70.9	47.8	36.8	33.9	27.4	22.7	18.9	9.85
1.70V	538	371	312	197	144	120	77.1	70.3	47.5	36.6	33.5	27.2	22.6	18.6	9.64
1.75V	502	368	310	196	142	116	76.2	69.3	47.2	36.3	33.3	26.9	22.4	18.5	9.45
1.80V	461	365	292	192	141	114	75.5	68.2	47.1	36.0	33.0	26.7	22.2	18.3	9.27
1.85V	411	342	262	176	131	109	74.0	65.3	44.8	35.3	31.4	26.1	21.5	18.0	9.05