

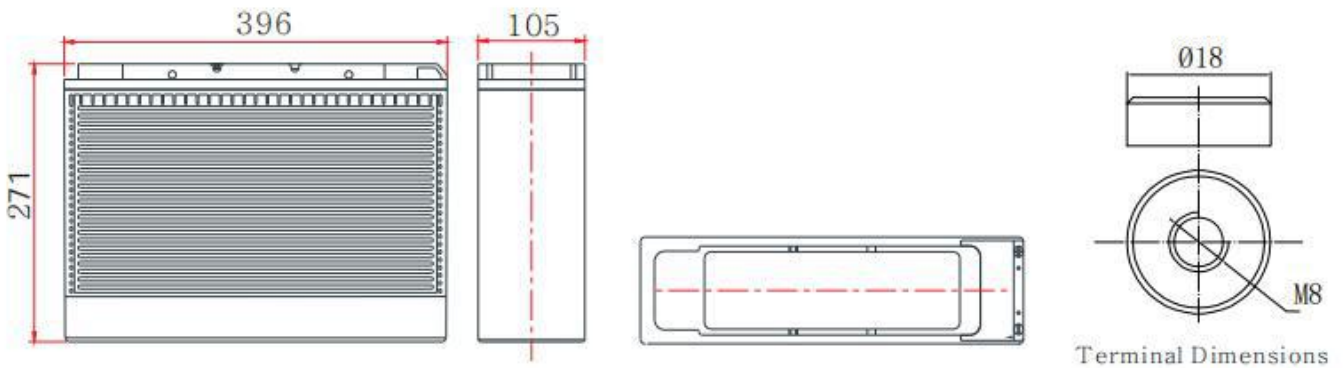
## General Features

- ▶ Narrow structure and front terminal design, suitable for 19-inch and 23-inch standard cabinets
- ▶ High corrosion resistant performance: Pb-Ca multi-alloy grid
- ▶ Excellent charge acceptance ability
- ▶ Excellent deep cycle discharge capability
- ▶ Strong high and low temperature performance
- ▶ Precision sealing technology
- ▶ Long life



**Dimension: 396(L) × 105(W) × 271(H) × 271(TH)**

**Unit: mm**



Specification	
Nominal Voltage	12V
Nominal Capacity	90Ah
Design life	12 years
Terminal	M8
Approx. Weight	Approx. 27.0kg (59.5lbs)
Container Material	ABS
short-circuit current	2000A
Internal resistance(Full charged at 25°C: )	6.0 mΩ
Self discharge	3% of capacity declined per month at 25°C
Operating Temperature	
Discharge:	-20 ~50°C(-4~ 122°F)
Charge :	-20 ~50°C(-4~ 122°F)
Storage:	-20 ~50°C(-4~ 122°F)
Charge Method(25 °C)	
Charge current:	Max. 22.5A; Recom. 9.0A
Float charge: 13.5-13.8V	recom. 13.8V(-18mV/ °C)
Equalize charge: 13.8-14.1V	recom. 14.1V(-24mV/ °C)
Cycle charge: 14.4-15.0V	recom. 14.7V(-30mV/ °C)

## Standards

Executive standard YD/T 799-2010

## Applications

- ▶ UPS/EPS
- ▶ Power systems
- ▶ Telecom outdoor integration site
- ▶ Emergency lighting, Auto control system
- ▶ Solar/wind generating storage cyclic
- ▶ Other general purpose

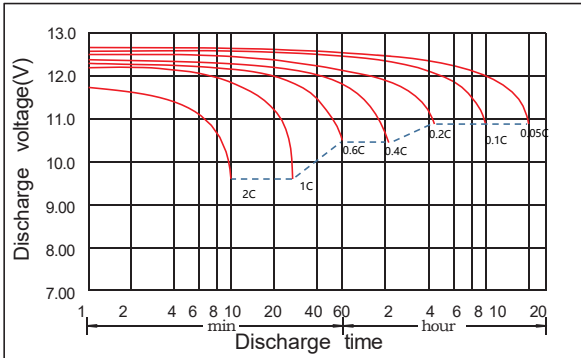
## Rated Capacity

10Hour Rate (9.00A to 10.8V)	90.0Ah
3Hour Rate (23.1A to 10.2V)	69.3Ah
1Hour Rate (56.9A to 9.6V)	56.9Ah

## Attain Certificate



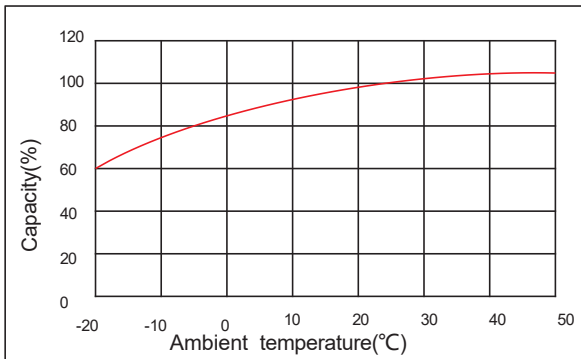
## Discharge characteristic



## Charging characteristic



## The effect of temperature on capacity



## The effect of temperature on float life



### Constant Current Discharge Characteristics Unit:A (25°C,77°F)

FV/Time	5min	10min	15min	30min	45min	1h	1.5h	2h	3h	4h	5h	6h	8h	10h	20h
1.60V	209	176	147	89.3	70.0	56.9	35.7	32.7	23.7	17.2	15.9	12.7	10.4	9.31	4.87
1.65V	203	175	143	87.9	69.1	55.9	35.3	32.5	23.5	17.0	15.7	12.6	10.3	9.21	4.77
1.70V	195	174	141	86.0	68.2	55.0	35.2	32.2	23.1	16.9	15.6	12.5	10.2	9.12	4.67
1.75V	180	172	136	85.1	67.2	54.1	34.8	31.8	22.9	16.7	15.4	12.3	10.1	9.02	4.57
1.80V	160	167	127	81.3	66.3	53.1	34.4	31.2	22.7	16.5	15.0	12.2	10.0	9.00	4.47
1.85V	143	155	112	74.7	61.1	49.8	33.5	29.6	21.4	16.0	14.2	11.8	9.68	8.65	4.36

### Constant Power Discharge Characteristics Unit: W/cell (25°C,77°F)

FV/Time	5min	10min	15min	30min	45min	1h	1.5h	2h	3h	4h	5h	6h	8h	10h	20h
1.60V	351	298	259	162	129	109	69.7	63.4	45.1	33.1	30.2	24.6	20.3	17.9	9.46
1.65V	337	296	256	161	128	107	68.9	63.0	44.5	32.7	30.0	24.3	20.2	17.8	9.26
1.70V	336	294	252	160	127	106	68.6	62.5	44.3	32.6	29.8	24.2	20.1	17.5	9.06
1.75V	313	291	251	159	126	104	67.7	61.6	44.0	32.2	29.6	23.9	19.9	17.3	8.88
1.80V	288	289	237	156	125	102	67.1	60.6	43.9	32.0	29.3	23.7	19.7	17.2	8.72
1.85V	257	270	212	143	116	96.8	65.8	58.0	41.7	31.4	27.9	23.2	19.0	16.9	8.51