



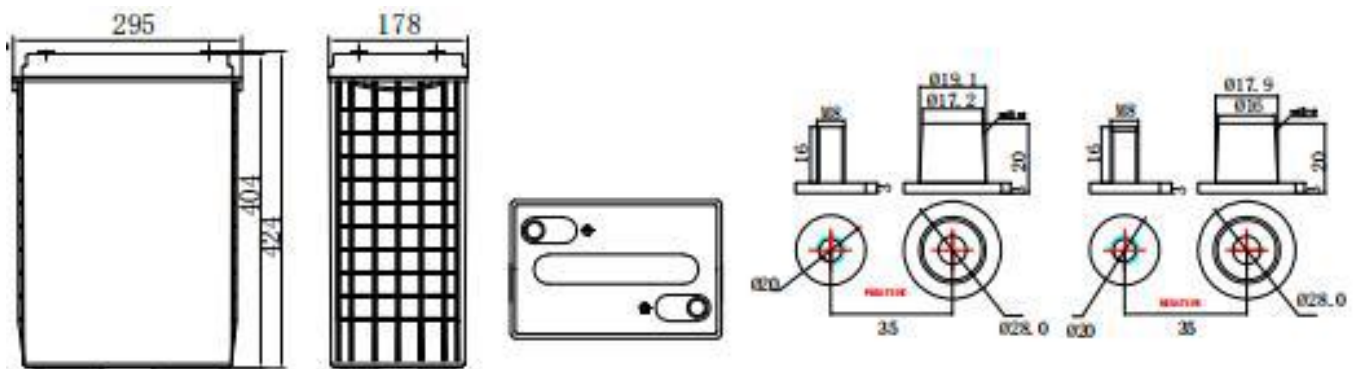
General Features

- ▶ High corrosion resistant performance: Pb-Ca multi-alloy grid
- ▶ High energy density and power density
- ▶ Optimized capability of instant high-current discharging
- ▶ Excellent charge acceptance ability
- ▶ Excellent deep cycle discharge capability
- ▶ Strong high and low temperature performance
- ▶ Precision sealing technology
- ▶ Long life



Dimension: 295(L) × 178(W) × 404(H) × 424(TH)

Unit: mm



Specification	
Nominal Voltage	6V
Nominal Capacity	420Ah
Design life	10 years
Terminal	DT
Approx. Weight	Approx. 59.0kg (130.0lbs)
Container Material	ABS
short-circuit current	4000A
Internal resistance (Full charged at 25°C:)	1.5 mΩ
Self discharge	3% of capacity declined per month at 25°C
Operating Temperature	
Discharge:	-20 ~50°C (-4 ~ 122°F)
Charge :	-20 ~50°C (-4 ~ 122°F)
Storage:	-20 ~50°C (-4 ~ 122°F)
Charge Method (25 °C)	
Charge current:	Max. 84.0A; Recom. 42.0A
Float charge: 6.75-6.90V	recom. 6.90V (-9mV/ °C)
Equalize charge: 6.90-7.05V	recom. 7.05V (-12mV/ °C)
Cycle charge: 7.20-7.50V	recom. 7.20V (-15mV/ °C)

Standards

Executive standard GB/T 32620.1-2016

Applications

- ▶ UPS/EPS
- ▶ Power systems
- ▶ Telecommunications system
- ▶ Emergency lighting, Auto control system
- ▶ Solar/wind generating storage cyclic
- ▶ Other general purpose

Rated Capacity

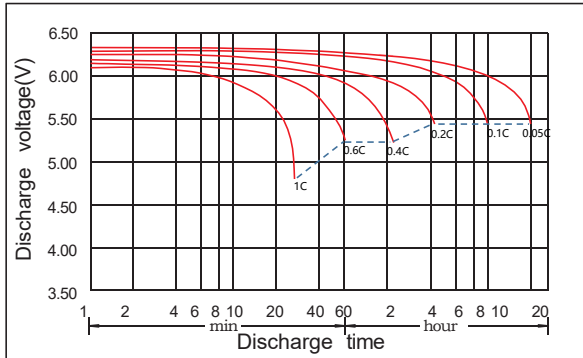
20Hour Rate (21.0A to 5.25V)	420.0Ah
3Hour Rate (112A to 5.10V)	336.0Ah
1Hour Rate (258A to 4.80V)	258.0Ah

Attain Certificate

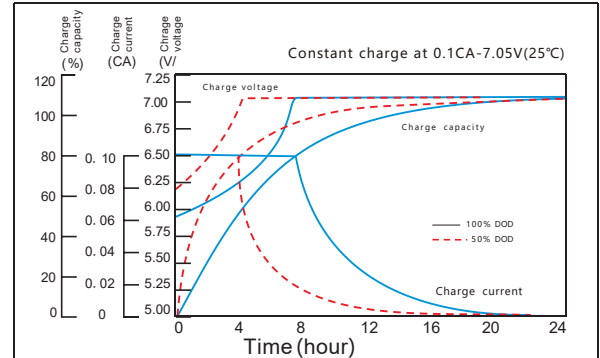




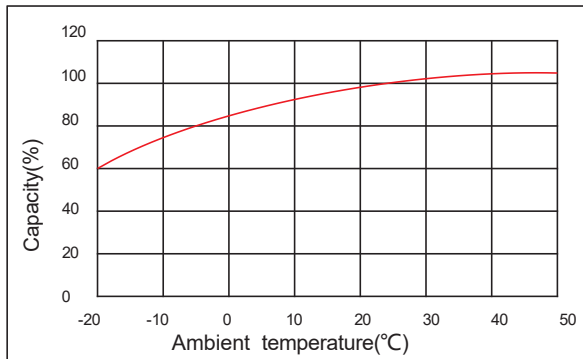
Discharge characteristic



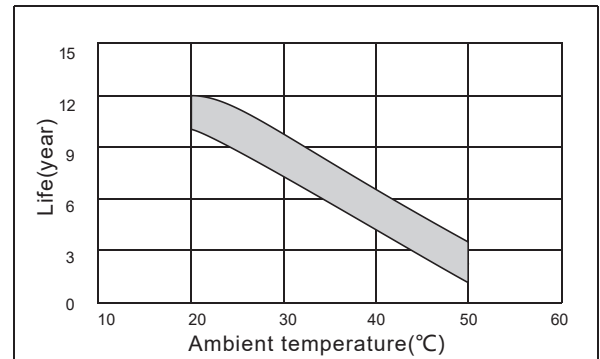
Charging characteristic



The effect of temperature on capacity



The effect of temperature on float life



Constant Current Discharge Characteristics Unit:A (25°C,77°F)

FV/Time	5min	10min	15min	30min	45min	1h	1.5h	2h	3h	4h	5h	6h	8h	10h	20h
1.60V	306	306	306	306	306	258	174	160	115	83.1	77.0	61.5	50.6	42.6	21.9
1.65V	301	301	301	301	301	257	172	158	114	82.3	76.4	61.0	50.2	42.3	21.6
1.70V	289	289	289	289	289	255	170	156	112	81.4	75.6	60.3	49.8	41.8	21.3
1.75V	266	266	266	266	266	252	169	154	111	80.8	74.8	59.8	49.4	41.5	21.0
1.80V	238	238	238	238	238	245	167	151	110	80.0	72.6	59.0	49.0	41.0	20.7
1.85V	212	212	212	212	212	227	162	143	103	77.6	69.0	57.4	47.0	39.8	20.2

Constant Power Discharge Characteristics Unit: W/cell (25°C ,77°F)

FV/Time	5min	10min	15min	30min	45min	1h	1.5h	2h	3h	4h	5h	6h	8h	10h	20h
1.60V	520	520	520	520	520	493	338	310	223	161	149	120	98.5	83.1	43.0
1.65V	512	512	512	512	512	491	334	306	221	160	148	119	97.9	82.5	42.4
1.70V	491	491	491	491	491	487	330	302	217	158	147	117	97.3	81.5	41.8
1.75V	452	452	452	452	452	481	328	298	215	157	145	116	96.5	80.9	41.2
1.80V	404	404	404	404	404	468	324	292	213	155	141	114	95.5	79.9	40.6
1.85V	363	363	363	363	363	437	316	280	202	151	135	112	92.1	78.1	39.8