

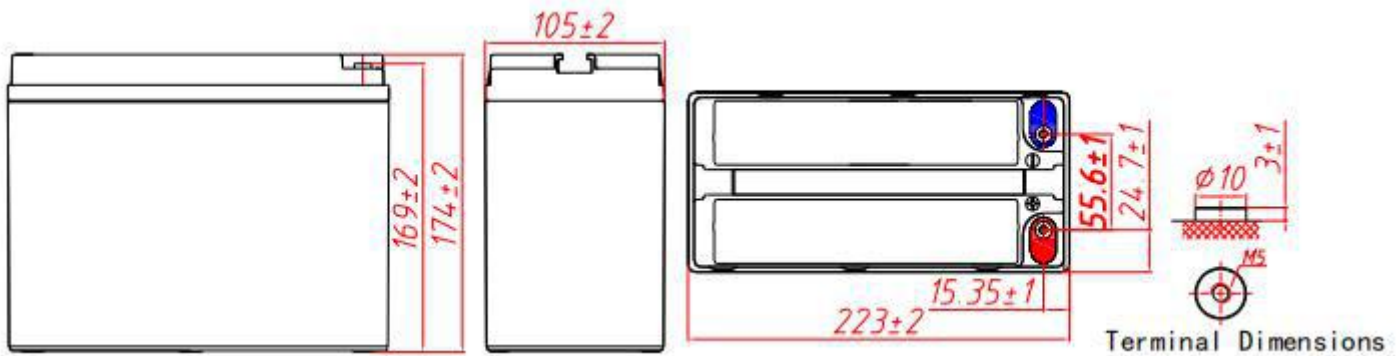
General Features

- ▶ High corrosion resistant performance: Pb-Ca multi-alloy grid
- ▶ High energy density and power density
- ▶ Optimized capability of instant high-current discharging
- ▶ Excellent charge acceptance ability
- ▶ Strong high and low temperature performance
- ▶ Low self-discharge rate



Dimension: 223(L) × 105(W) × 174(H) × 174(TH)

Unit: mm



Specification	
Nominal Voltage	12V
Nominal Capacity	38.3Ah
Design life	5 years
Terminal	M5
Approx. Weight	Approx 10.7kg (23.6lbs)
Container Material	ABS
Self discharge	3% of capacity declined per month at 25°C
Rated Capacity	
10Hour Rate (4.20A to 10.5V)	42.0Ah
3Hour Rate (12.8A to 10.5V)	38.3Ah
1Hour Rate (32.0A to 10.5V)	32.0Ah
Operating Temperature	
Discharge:	-20 ~50°C (-4~ 122°F)
Charge :	-20 ~50°C (-4~ 122°F)
Storage:	-20 ~50°C (-4~ 122°F)
Charge Method(25 °C)	
Max charge current	5.75A
Float Use:	13.7-13.9V@25
Cycle Use :	14.7-14.9V,@25

Standards

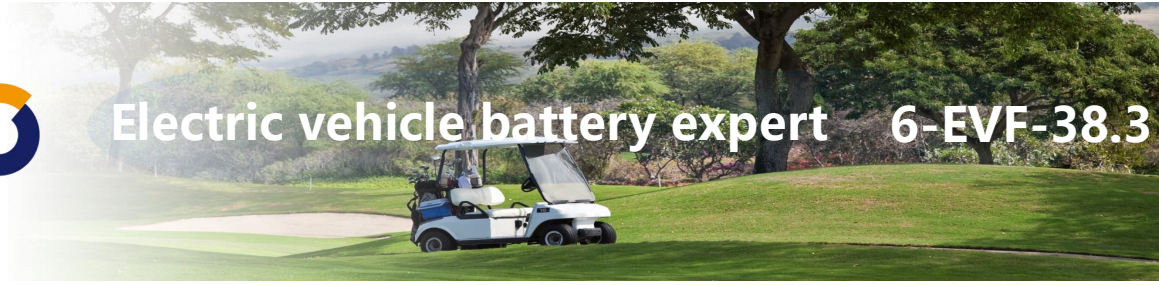
Executive standard :GB/T32620-2016

Applications

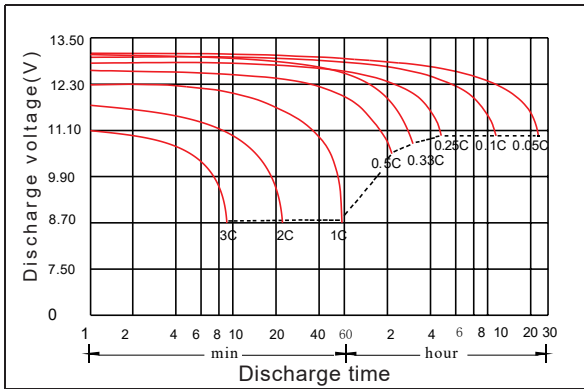
- ▶ Electric vehicle
- ▶ Electric wheelchair
- ▶ Electric scooter
- ▶ Electric play car for children
- ▶ Garbage truck
- ▶ Patrol car

Attain Certificate

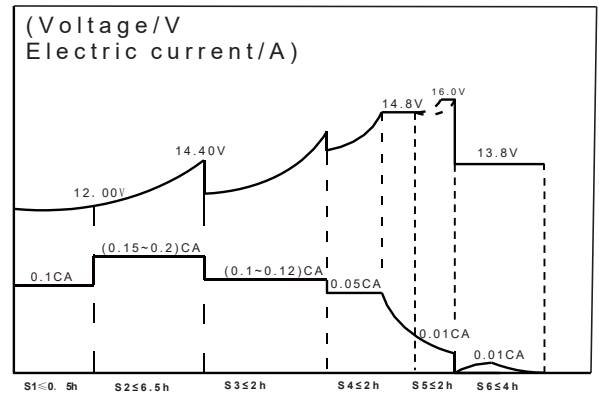




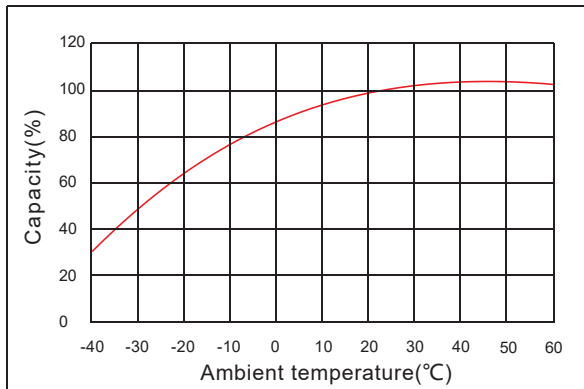
Discharge characteristic



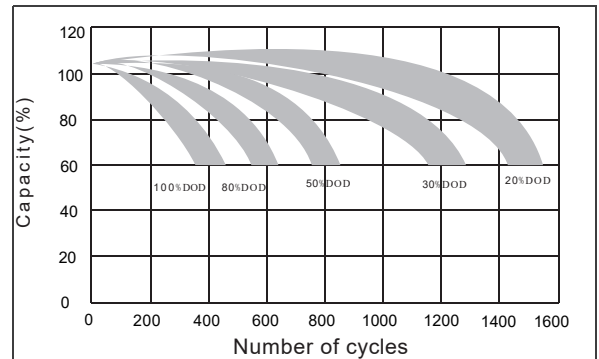
Charging characteristic



The effect of temperature on capacity



The effect of discharge depth on cycle life



Constant Current Discharge Characteristics Unit:A (25°C,77°F)

FV/Time	5min	15min	30min	1h	2h	3h	5h	8h	10h	20h
1.60V	163	87.2	53.5	32.9	18.5	13.2	8.35	5.13	4.32	2.43
1.65V	157	84.6	52.4	32.7	18.4	13.1	8.30	5.08	4.28	2.42
1.70V	151	83.1	51.4	32.5	18.3	12.9	8.20	5.04	4.24	2.41
1.75V	139	80.0	51.0	32.0	18.0	12.8	8.10	4.99	4.20	2.40
1.80V	125	74.9	48.8	31.2	17.7	12.6	7.90	4.99	4.16	2.39
1.85V	111	66.7	44.5	28.9	16.8	11.9	7.51	4.76	4.03	2.35

Constant Power Discharge Characteristics Unit: W/cell (25°C ,77°F)

FV/Time	5min	15min	30min	1h	2h	3h	5h	8h	10h	20h
1.60V	273	154	96.7	62.5	35.0	25.1	15.9	9.98	8.32	4.82
1.65V	262	151	95.7	61.9	34.9	24.8	15.8	9.89	8.22	4.80
1.70V	261	149	95.6	61.4	34.8	24.6	15.7	9.84	8.13	4.78
1.75V	243	149	95.1	60.8	34.6	24.5	15.6	9.80	8.09	4.76
1.80V	224	141	92.5	60.3	34.5	24.4	15.4	9.70	7.99	4.73
1.85V	199	126	84.8	56.0	32.9	23.2	14.7	9.38	7.85	4.69