

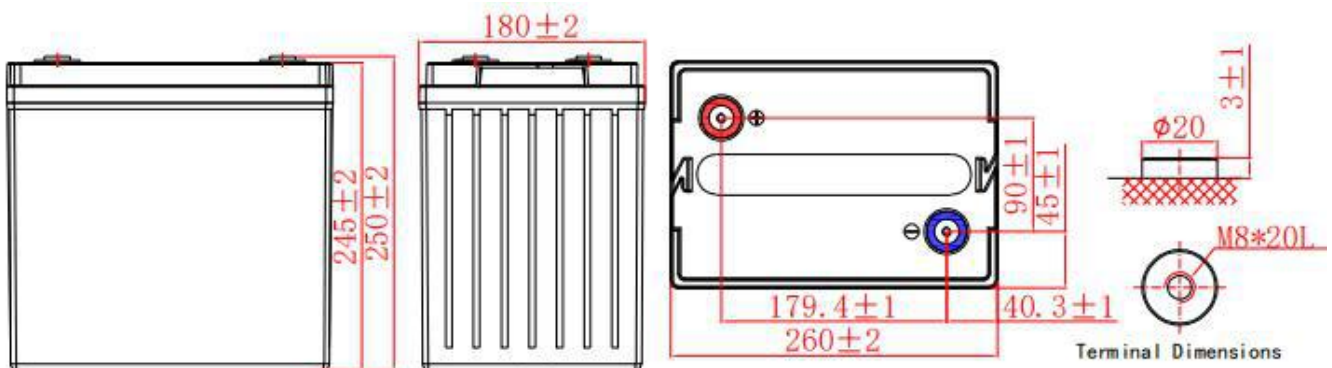
## General Features

- ▶ High corrosion resistant performance: Pb-Ca multi-alloy grid
- ▶ High energy density and power density
- ▶ Optimized capability of instant high-current discharging
- ▶ Excellent charge acceptance ability
- ▶ Strong high and low temperature performance
- ▶ Low self-discharge rate



**Dimension: 260(L) × 180(W) × 245(H) × 250(TH)**

**Unit: mm**



Specification	
Nominal Voltage	6V
Nominal Capacity	170Ah
Design life	5 years
Terminal	M8
Approx. Weight	Approx 29.5kg (65.0lbs)
Container Material	ABS
Self discharge	3% of capacity declined per month at 25°C
Rated Capacity	
10Hour Rate (20.0A to 10.5V)	200.0Ah
3Hour Rate (56.7A to 10.5V)	170.0Ah
1Hour Rate (141A to 10.5V)	141.0Ah
Operating Temperature	
Discharge:	-20 ~50°C (-4~ 122°F)
Charge :	-20 ~50°C (-4~ 122°F)
Storage:	-20 ~50°C (-4~ 122°F)
Charge Method(25 °C)	
Max charge current	25.5A
Float Use:	6.75-6.90V@25
Cycle Use :	7.20-7.50V@25

## Standards

Executive standard :GB/T32620-2016

## Applications

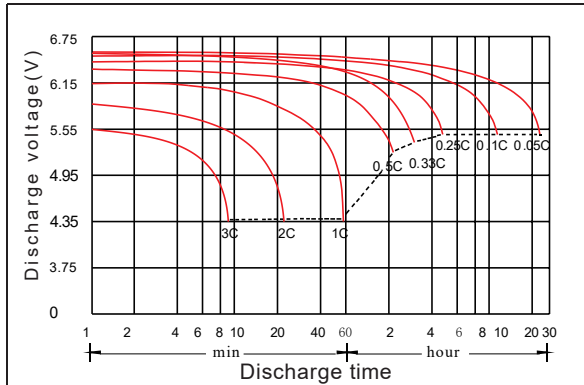
- ▶ Electric vehicle
- ▶ Electric wheelchair
- ▶ Electric scooter
- ▶ Electric play car for children
- ▶ Garbage truck
- ▶ Patrol car

## Attain Certificate

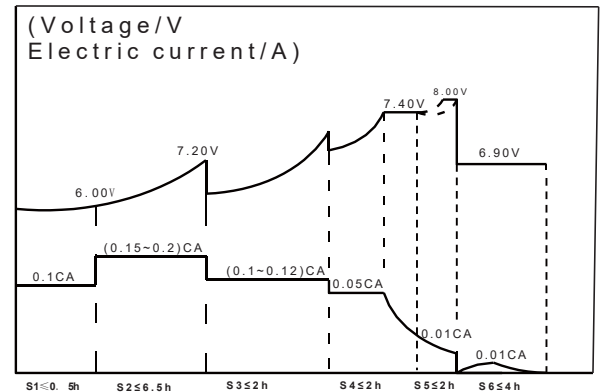




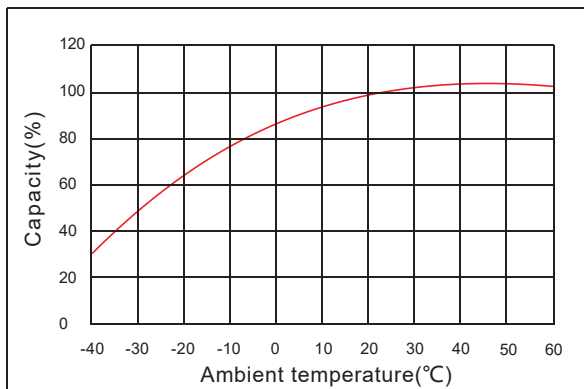
## Discharge characteristic



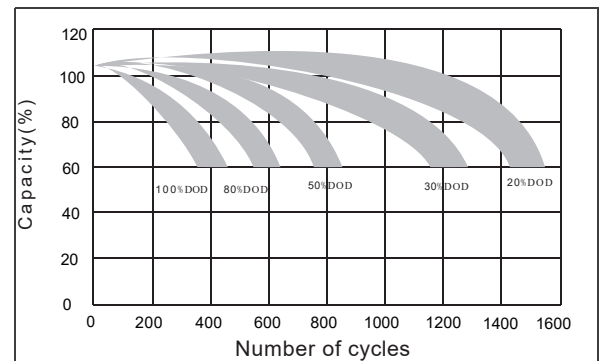
## Charging characteristic



## The effect of temperature on capacity



## The effect of discharge depth on cycle life



### Constant Current Discharge Characteristics Unit:A (25°C,77°F)

FV/Time	30min	1h	2h	3h	5h	8h	10h	20h
1.60V	256	145	84.4	58.8	39.2	24.4	20.6	11.2
1.65V	251	144	83.9	58.3	38.9	24.2	20.4	11.1
1.70V	246	143	83.2	57.4	38.5	24.0	20.2	11.0
1.75V	244	141	82.0	56.7	38.0	23.8	20.0	11.0
1.80V	233	137	80.5	56.5	37.1	23.8	19.8	11.0
1.85V	213	127	76.4	53.2	35.2	22.7	19.2	10.7

### Constant Power Discharge Characteristics Unit: W/cell (25°C,77°F)

FV/Time	30min	1h	2h	3h	5h	8h	10h	20h
1.60V	462	275	159	112	74.4	47.5	39.6	22.1
1.65V	457	273	159	111	73.9	47.1	39.2	22.0
1.70V	457	271	158	110	73.5	46.9	38.7	21.9
1.75V	455	268	157	109	73.0	46.6	38.5	21.8
1.80V	443	266	157	109	72.1	46.2	38.1	21.7
1.85V	406	247	150	104	68.8	44.7	37.4	21.5